



Fan Installation Manual

NMV /NMR Freestanding Appliances

ADHFF for NMV

Supplied by:
Castworks Pty Ltd
57 Industrial Drive
Braeside VIC 3195



Warnings

Danger of Electrocutation: All electrical work must be carried out by a qualified electrician.

Note: All electrical components should be installed in an airy location away from hot parts



IMPORTANT:

- Must be installed in accordance with AS/NZS 3000.
- Must be installed to the manufacturers' specifications.
- Power supply must be installed by a licensed electrician.
- If the power cables are damaged, for any reason, do not use. Have the cord replaced immediately.
- A means for switching off and isolating the appliance, for maintenance requirements, is recommended.
- In all heat zones the wiring should be thermally insulated with the silicone sleeves provided.

The cable for the electrical supply with Plug is 1.5m. The cable for the control switch is 65cm. It is made with a high temperature rated silicon outer case. If additional cabling is required check with your electrician.

For the accessory bench mounted versions, the toggle switch will fit into the bench cut out, see instructions below.

Or the switch can be wall mounted, keep it clear from within 200mm from each side of the heater. Cut out for the toggle switch dimensions is also shown below

Cable for the control switch and thermostat switch is made with a high temperature rated silicon outer case. If additional cabling is required check with your electrician, standard electrical cables can be used outside of the heat zones.

Operation of the Controller (User Manual)

Fan operation modes:

I- Low speed Thermostat controlled (>50C), (Automatic on/off)

0-OFF

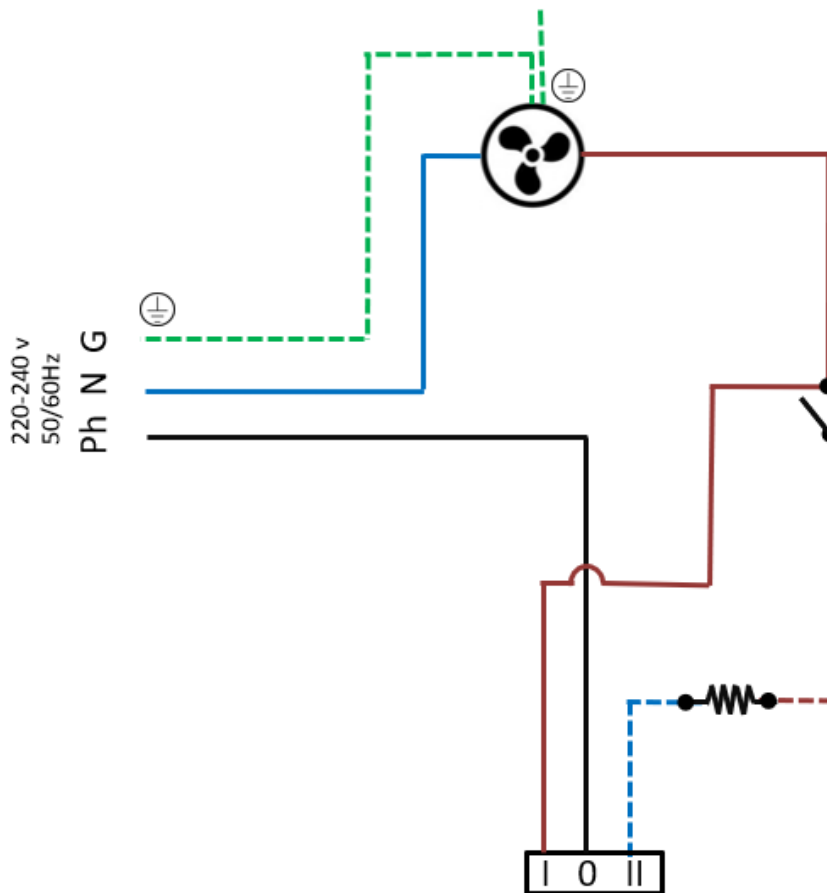
II-Manual setting, High speed,

Use when heater is hot, and wanting maximum heating the room.

Low speed is for general operation and when leaving the fire to die down, so fan will shut off when fire dies down.

Installation Instructions

Electric circuit layout with Switch Control



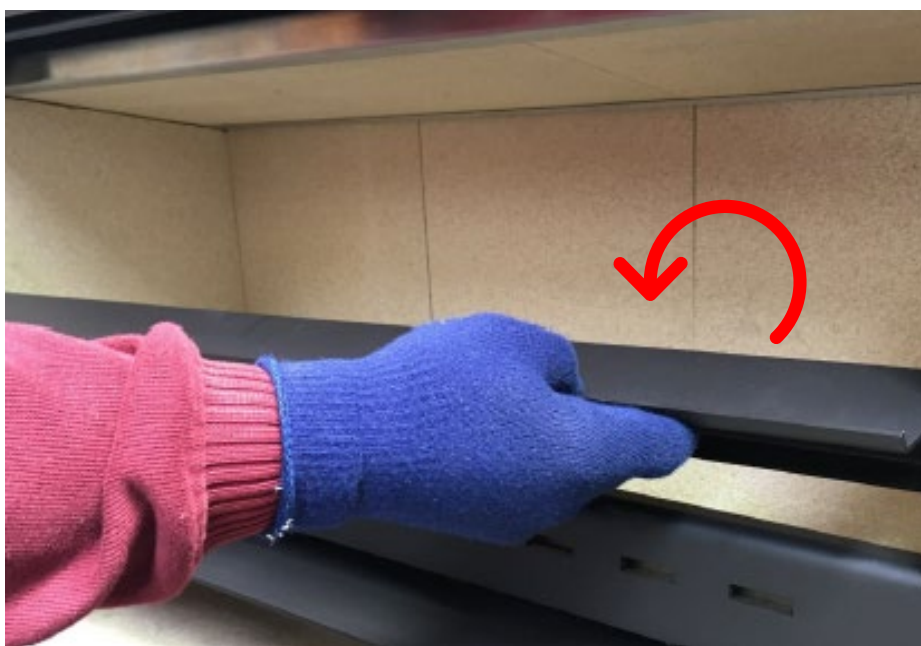
Warning

Danger of Electrocutiion: All electrical work must be carried out by a qualified electrician.

Note: All electrical components should be installed in an airy location away from hot parts.

Access to Fan

1. Remove ash retainer by lifting it upward slightly to clear the base brick, then rotating it forward (below) and finally pulling out diagonally by lifting one side higher and out.



2. Remove the vermiculite base bricks from the floor of the firebox.



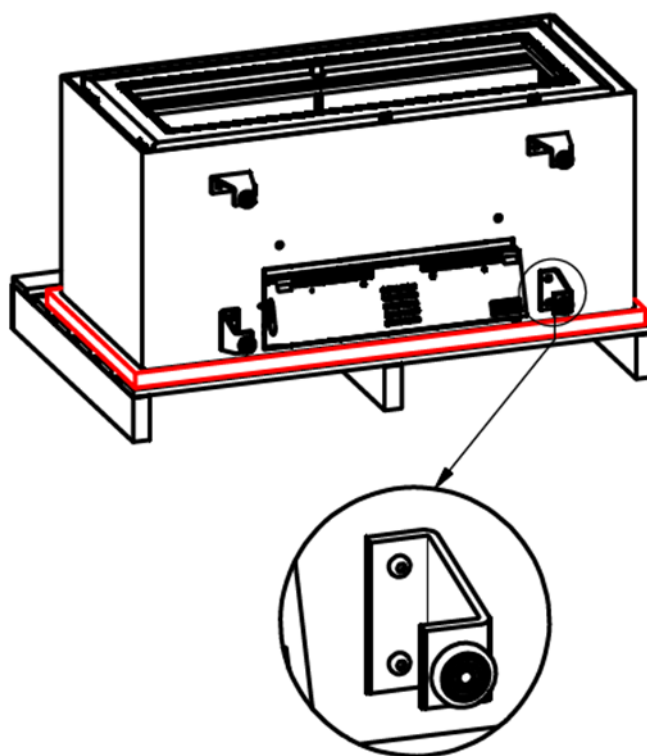
3. Undo the screws and remove the fan access cover (flat steel plate).



4. Remove the bottom plate from the outer body, by tapping with a hammer to break the perforation ties.

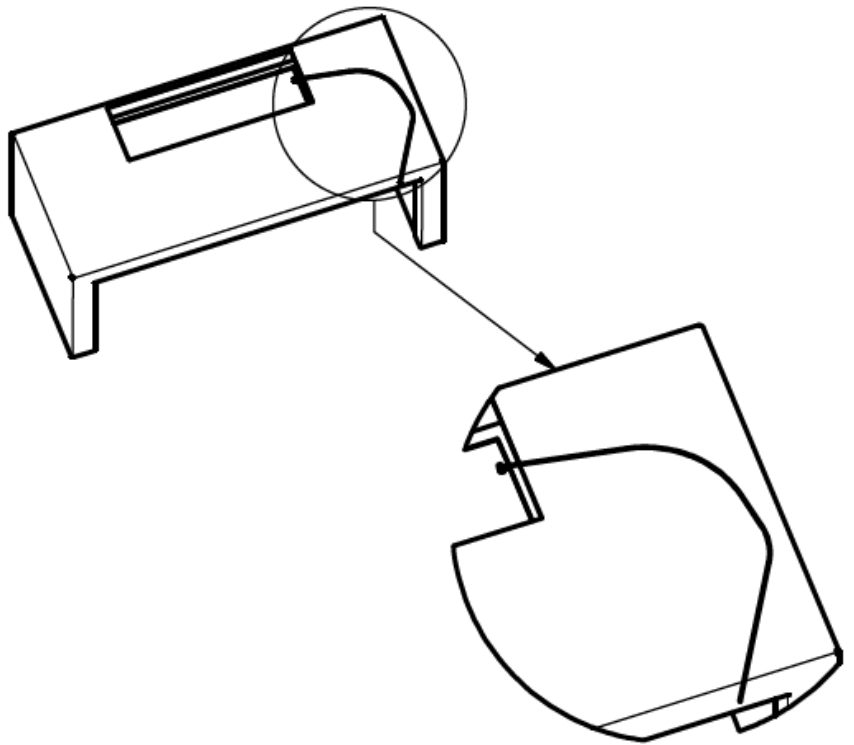


5. If the heater comes with protective feet for transit, especially early models with Fan pre-fitted), Lay the heater on its back, and remove the feet. Protect the top of the bench with padding to protect the bench and the heater.



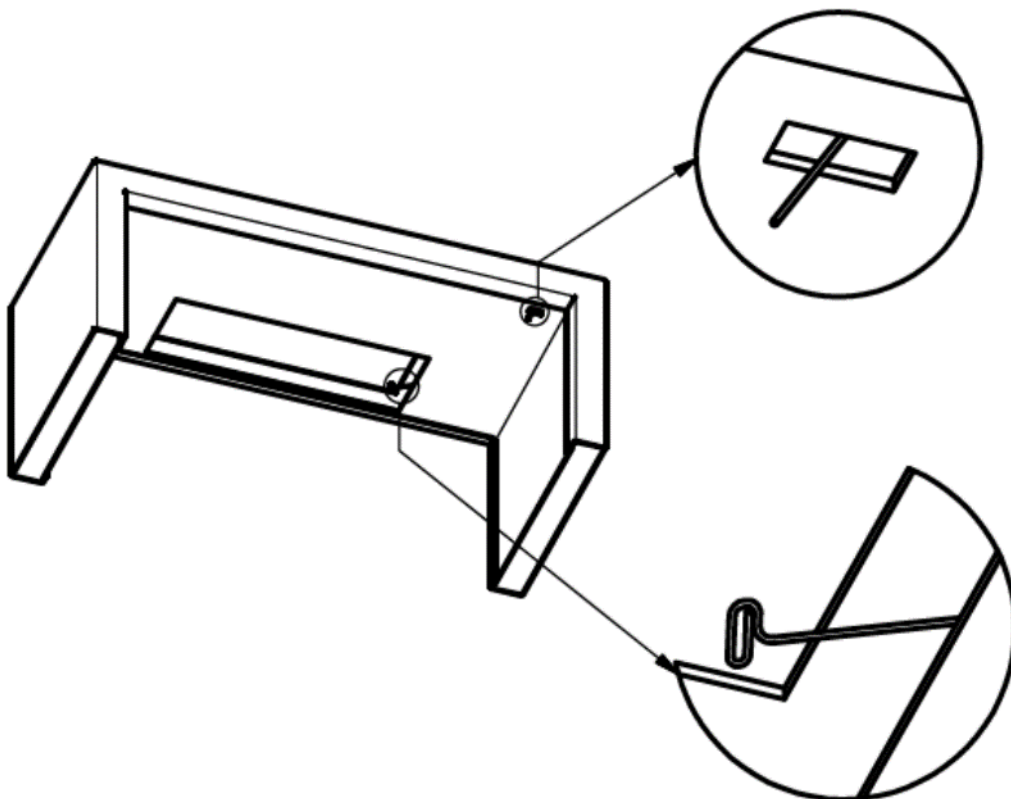
6. Installation on the Accessory Bench (if using Custom installation go to step 7)

The bench has a structural beam through the centre, so the switch cable needs to be threaded between the top and bottom panels and around this to meet the cut-out for the switch in the underside of the front right-hand corner.



Shape a piece of metal wire to go through the fan cut out between the top and bottom panels, and around the RHS of the edge of the structural beam and out through the toggle switch hole.

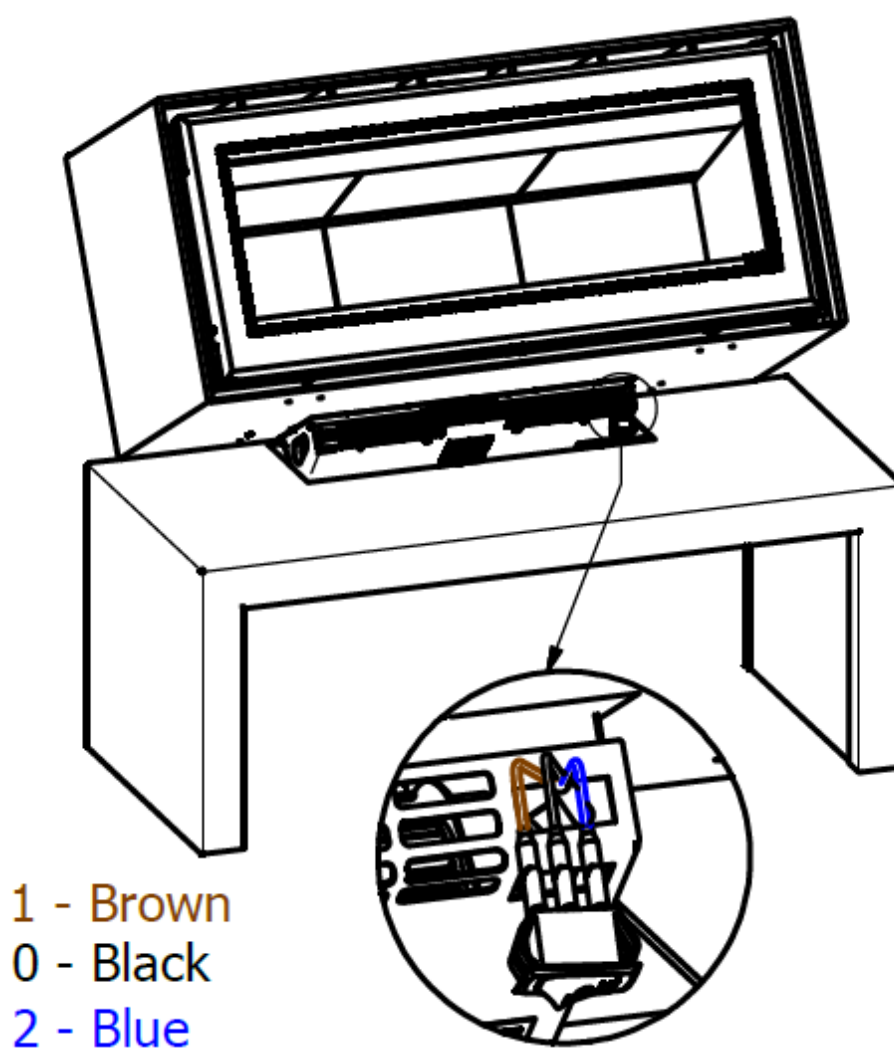
So each end of the metal wire is visible protruding like in picture below.



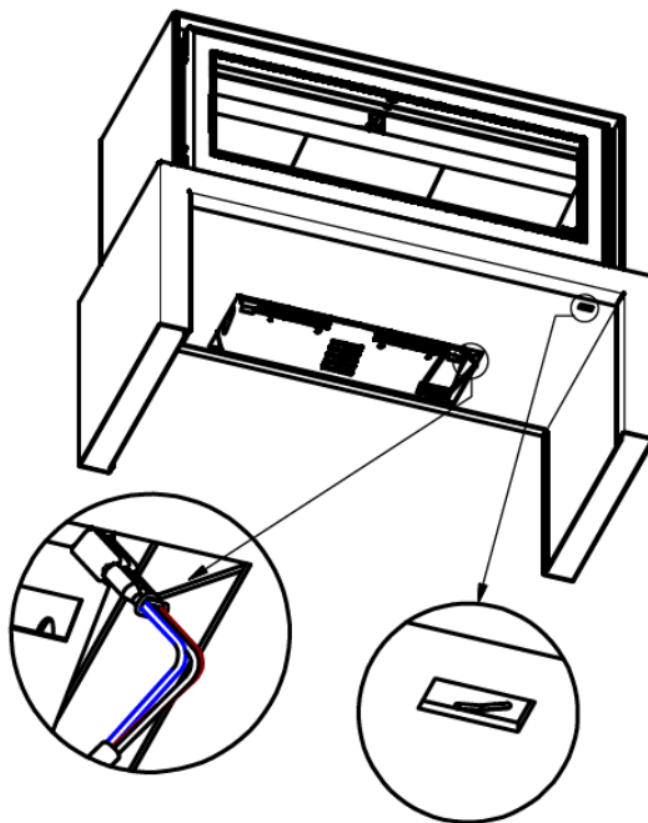
Then using 2 people, locate the heater into correct position. Pad the top of the bench to protect it.

Remove the Toggle switch from the cable, noting the coloured wiring positions. (Note the heater will be easier to install **without** the fan in the heater as shown here).

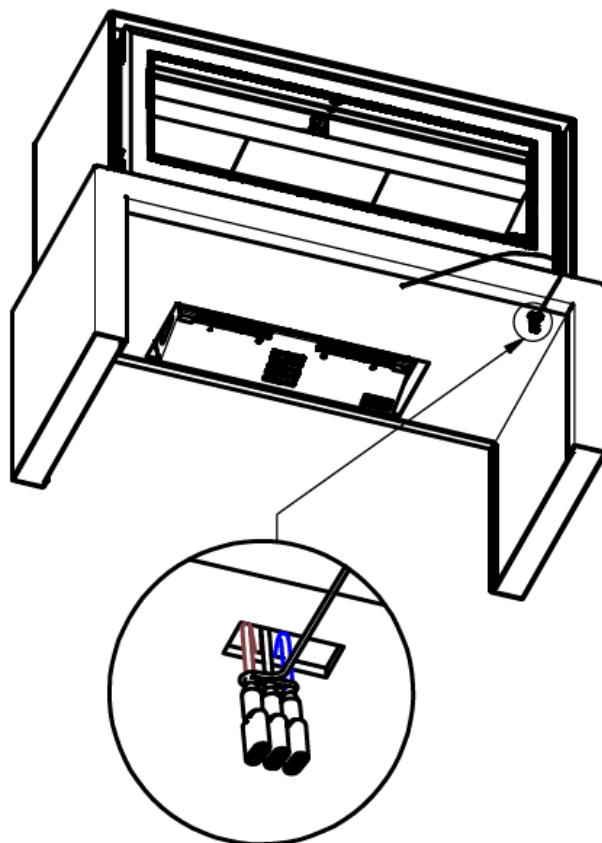
Ensure the cable can meet the metal wire from underneath when the fan is angled in.



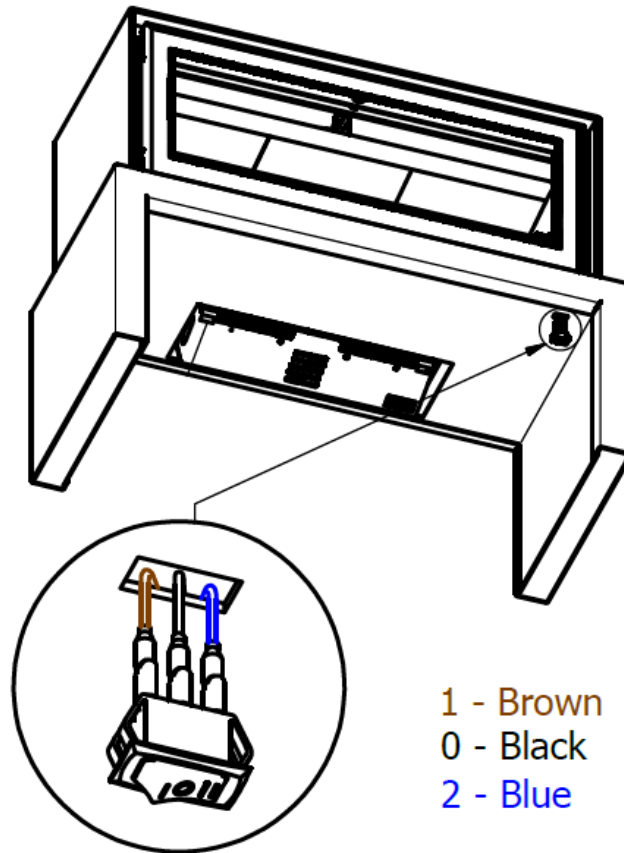
Attach the electrical cable to the end of the metal wire at fan hole cut out.



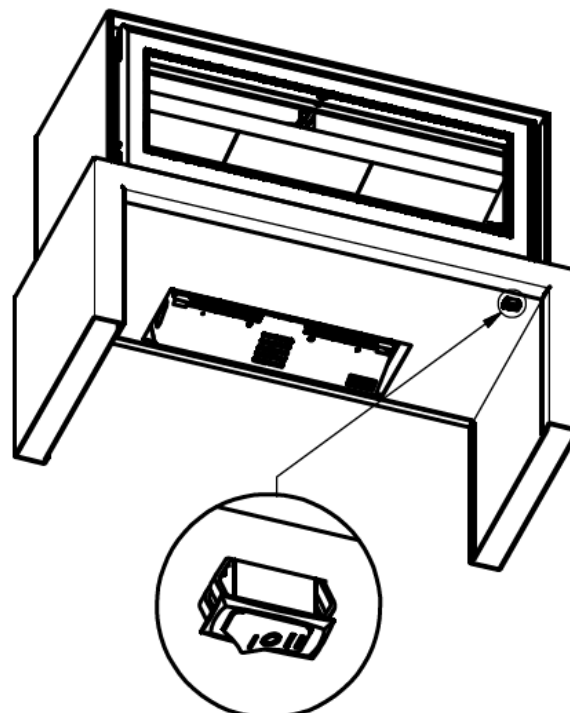
And then carefully pull the electrical cables through bench, to the switch hole at the front.



Re – attach wires correctly; Brown to I, Black to O and Blue to II.



Pop toggle switch in to the hole in bench cut out. **Note, ensure** you are ready, and wired correctly; the switch is not easy to remove once popped in.



7. Installing the heater into Custom made bench top.

Pass the electrical cable for the controller and the 240V connection through the fan cut out. Note the cable in heated areas need to be heat resistant and with the silicon sleeve cover. Outside these areas an electrician can extend the cables if required with locally approved electrical cable.



Pass the toggle switch cables through to the front.

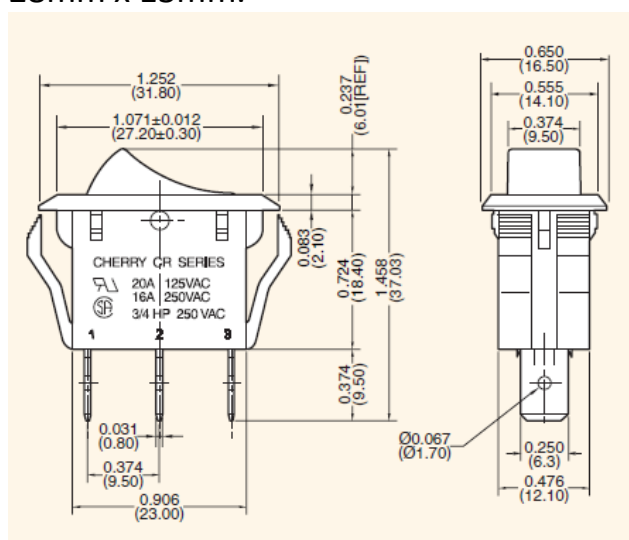


Pull the switch forward toward the front, ready for mounting position.



If a Toggle cut out is required, the dimensions of the toggle should be as below (note this may be subject to change, check with supplier):

28mm x 13mm.



(Alternative Toggle switch after 2019 may require cut out of 30mm x 11mm)

8. Fit the fan

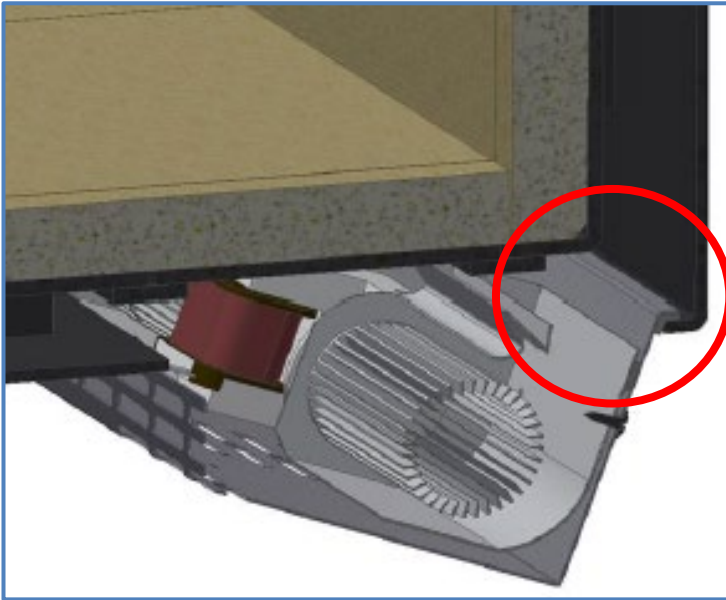
Install the fan by slotting it into the cut out inside the firebox, with the grill intake facing towards the front.



Ensure there is NO Gap at the top between the fan and the heater.



Fan Must be positioned as below, with the tab or rear fold of the fan casing sitting on the heater on the fold at the rear.



9. Fit the thermostat

Make sure the thermostat and cable are free as shown below, ready to be fixed on the fan access plate.



Fix the fan in position with 2 screws on each end.



Fit the thermostat to the underside of the Fan access cover. You may need to pry the tabs up slightly.



Rotate the Thermostat under the tabs to lock in position.



10. Connect and test controller

When checking the fan, run the unit on the II setting, as this is manual control, the low setting is thermostatically controlled, to 50 deg. C.

For Normal operation see Page 2 above.

When everything is testing ok, Replace the cover for Fan Access.



When inserting, ensure that the thermostat cabling is fastened in position **so it cannot move and rub or get caught in the fan blades**. Besides being noisy, this could damage the cables, the blades and the fan.



Screw the cover back into position.



11. Reassemble the firebox

Carry out the reverse of steps 1 to 3 to re-assemble the fire linings and complete assembly.



<p>Imported By:</p> <p>Castworks, 57 Industrial Drive, Braeside, Vic 3195</p>	<p>Manufactured by:</p> <p>A.D.F. Lda. Z.I. Relvinha, Sarzedo A.P. 55 3304-909 Arganil-Portugal</p>
---	---