

## E-30M

(Model HEHE30 AU)

Heat Output	▪	10.6kW av
Efficiency	▪	62% av
Coverage	▪	up to 150m <sup>2</sup>
Emissions	▪	1.4 grams/kg

The combination of a balanced design and optimised combustion technology make the E-30M a high quality and efficient fireplace.

Providing a constant, gentle warmth due to the heat retention properties of its robust cast iron, the E-30M continues to emit heat even after the fire has died down.

Beautifully crafted the smallest details on the unit are designed to delight such as the black handle that blends seamlessly with the rich dark grey of the cast iron body, and the unrivalled flame which is the result of a large ceramic glass panel, kept clean by the air-wash system. A large loading capacity, cast iron frame, and a clean burn system guarantee a efficient longer lasting burn.

Even the internal plates of the combustion chamber are made of cast iron, and the white enamelled coating on the side and back panels reflect more heat into the room as well as highlighting the brilliance of the fire as never before.

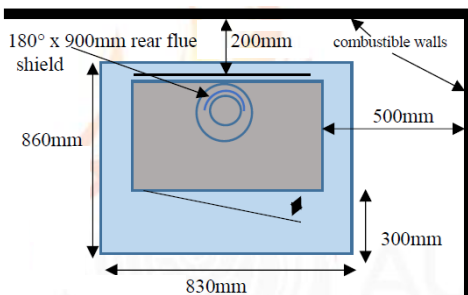
In the more than fifty years of professional experience, Hergom has perfected its production process, controlling first-hand the design, casting and manufacturing of each of its products.

Today they are one of the leading companies in the heating sector worldwide, with five manufacturing and operations points in Europe and America.

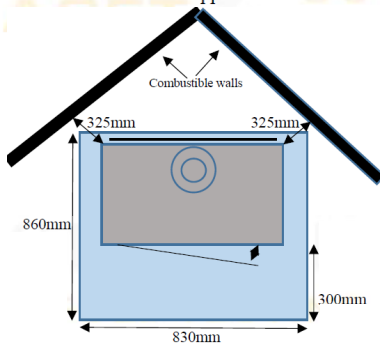


### Clearances

Hearth	Width	Depth	Thickness
depth inc 300mm in front and 200mm at rear. Thickness: Equal to 12mm Bellis Board or equivalent	830	961	12



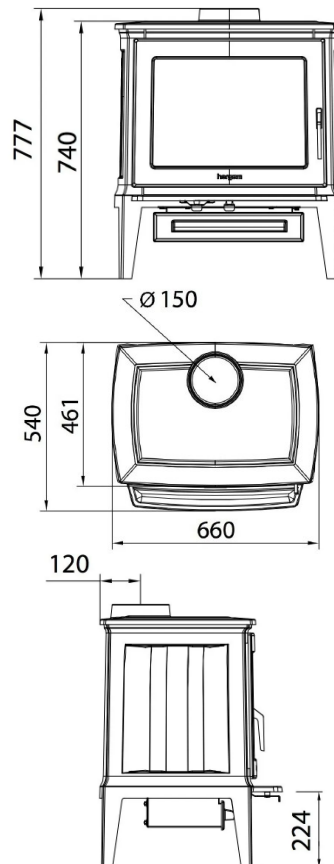
When the appliance rear heat shield is raised to 50mm above the top plate the rear wall clearance can be reduced to 150mm from the appliance rear heat shield



Flue Shield Configuration	Rear	Side	Front	Corner
With Inner Flue Shield and Firebox Heat Shield	200	500	300	325

CLEARANCES BASED ON INSTALLATION WILDCAT 6" TRIPLE SKIN FLUE KIT WITH 8" SOLID GALVANISED CASING WITH AN INNER REAR FLUE SHIELD BETWEEN THE ACTIVE AND 8" CASING AND A FIREBOX HEAT SHIELD

### Dimensions



### Features

#### STANDARD FEATURES

- Manufactured almost entirely from cast iron
- Overnight burning capacity
- Combustion chamber with high-strength cast iron panels coated in white enamel reflect more heat into the room as well as highlighting the brilliance of the fire
- Superior air wash cleaning system. Air currents sweep the inner part of the glass, keeping it free of dust and particles for unparalleled fire viewing
- Front removable ash-draw for a convenient disposal of ashes
- Advanced combustion system
- Controlled provision of air for primary and secondary combustion
- Cast iron door with a ceramic glass window pane
- Vertical smoke exit through the top
- Weight : 150kilos
- Maximum log width : 450mm
- Flue Spigot Size : Ø 150mm 6inch
- Internal Firebox : 528[w] x 290[d] x 300-388[h]
- Viewing Area : 440[w] x 309[h]
- Warranty : Limited 2 years manufactures

Information supplied is to assist you in your choice of a suitable fire. It is not intended to be all the information required to install the fire and does not replace the installation manual which provides more detailed information. In the interest of product development Hergom reserves the right to change specifications without prior notice.

All measurements are in millimetres unless otherwise stated.