

TFS650 & TFS1000

FREE-STANDING SOLID FUEL BURNER

Installation Instructions and User Guide

WARRANTY REPAIR AND ANNUAL SERVICING

Please contact Escea if you require warranty work. Warranty repair work must be carried out by a recognised Escea woodfire installer. It is recommended that recognised Escea Wood Fire Installers are also used to carry out annual servicing requirements (particularly during the warranty period). For contact details of recognised Escea Wood Fire Technicians in your area, or for replacement parts, please contact the retailer from whom the appliance was purchased from, or visit our website.

All installation work must comply to AS/NZS 2918:2018 Domestic solid fuel burning appliances- Installation AND these installation instructions. Any work undertaken that does not comply to AS/NZS 2918:2018 AND these installation instructions will not qualify for the Escea warranty. Escea will not be accountable for any unsafe installation that does not comply to AS/NZS 2918:2018.

Manufactured by: Escea Ltd, PO Box 5277 Dunedin NZ, Ph: +64 3 478 8220

For contact details of your local Escea distributor or dealer, please visit www.escea.com, call 0800 173 000, or email us at info@escea.com.

From Australia, please visit www.escea.com.au, call AU: 1800 460 832 or WA: 1800 730 140, or email us at info@escea.com

CONTENTS

A Safety Information	4
B Product Details	6
C Installation Process	10
D Woodfire Operation	34
E Maintenance & Servicing	41
F Troubleshooting	55
G General Warranty Terms & Conditions	56
H Service History & Data Plate	59

A SAFETY INFORMATION

NOTICE

DO NOT DISCARD THIS MANUAL
IMPORTANT OPERATING AND
MAINTENANCE INSTRUCTIONS INCLUDED.
READ, UNDERSTAND AND FOLLOW THESE
INSTRUCTIONS FOR SAFE INSTALLATION
AND OPERATION.
LEAVE THIS MANUAL WITH PARTY
RESPONSIBLE FOR USE AND OPERATION.

WARNING

IF THE INFORMATION IN THESE
INSTRUCTIONS IS NOT FOLLOWED EXACTLY,
A FIRE OR EXPLOSION MAY RESULT CAUSING
PROPERTY DAMAGE, PERSONAL INJURY
OR DEATH. IMPROPER INSTALLATION,
ADJUSTMENT, AERATION, SERVICE OR
MAINTENANCE CAN CAUSE INJURY OR
PROPERTY DAMAGE, BODILY INJURY OR
EVEN DEATH. PLEASE READ ENTIRE MANUAL
BEFORE YOU INSTALL AND USE YOUR
APPLIANCE.

THIS APPLIANCE IS NOT TO BE USED BY
PERSONS (INCLUDING CHILDREN) WITH
REDUCED PHYSICAL, SENSORY, OR MENTAL
CAPABILITIES, OR LACK OF EXPERIENCE AND
KNOWLEDGE, UNLESS THEY HAVE BEEN GIVEN
SUPERVISION OR INSTRUCTION CONCERNING
USE OF THE APPLIANCE BY A PERSON
RESPONSIBLE FOR THEIR SAFETY.

WARNING: THIS APPLIANCE AND
FLUE SYSTEM MUST BE INSTALLED IN
ACCORDANCE WITH AS/NZS 2918:2001 AND
THE APPROPRIATE REQUIREMENTS OF ANY
RELEVANT LOCAL/NATIONAL BUILDING
CODES.

WARNING: APPLIANCES INSTALLED SHALL
COMPLY WITH THE REQUIREMENTS OF
AS/NZS 4013 WHERE REQUIRED BY THE
REGULATORY AUTHORITY (I.E. THE APPLIANCE
SHALL BE IDENTIFIABLE BY A COMPLIANCE
PLATE WITH THE MARKING 'TESTED TO AS/
NZA 4013')

ANY MODIFICATION OF THE APPLIANCE THAT
HAS NOT BEEN APPROVED IN WRITING BY THE
TESTING AUTHORITY IS CONSIDERED TO BE
IN BREACH OF ANY APPROVAL GRANTED FOR
COMPLIANCE WITH AS/NZS 4012:2014 & AS/
NZS 4013:2014.

IF THE SUPPLY CORD IS DAMAGED, IT MUST
BE REPLACED BY THE MANUFACTURER, ITS
SERVICE AGENT OR SIMILARLY QUALIFIED
PERSONS IN ORDER TO AVOID A HAZARD.

CAUTION: THIS APPLIANCE SHOULD BE
MAINTAINED AND OPERATED AT ALL TIMES IN
ACCORDANCE WITH THESE INSTRUCTIONS:

- The appliance should be allowed to cool before servicing.
- Do not operate without fully assembling all components.
- Risk of cuts and abrasions. Wear protective gloves and safety glasses during installation. Sheet metal edges may be sharp.
- Do not operate appliance before reading and understanding operating instructions. Failure to operate appliance according to operating instructions could cause fire or injury.

CAUTION: MIXING OF APPLIANCE OR FLUE
SYSTEM COMPONENTS FROM DIFFERENT
SOURCES OR MODIFYING THE DIMENSIONAL
SPECIFICATION OF COMPONENTS MAY RESULT
IN HAZARDOUS CONDITIONS. WHERE SUCH
ACTION IS CONSIDERED, THE DISTRIBUTOR:
ESCEA LTD SHOULD BE CONSULTED AT THE
FIRST INSTANCE.

CAUTION: CRACKED AND BROKEN COMPONENTS. E.G. GLASS PANELS, MAY RENDER THIS INSTALLATION UNSAFE.

CAUTION: THIS APPLIANCE SHOULD NOT BE OPERATED WITH CRACKED GLASS.

- This appliance can be very hot when burning.
- Combustible materials such as firewood, wet clothing, etc. placed too close can catch fire
- Young children and elderly people should be carefully supervised when they are in the same room as the appliance. Toddlers, young children and others may be susceptible to accidental contact burns. A physical barrier is recommended if there are at risk individuals in the house. To restrict access to an appliance or stove, install an adjustable safety gate to keep toddlers, young children and other at risk individuals out of the room and away from hot surfaces. Children and pets must be prevented from touching the appliance when it is hot.
- Clothing or other flammable material should not be placed on or near the appliance.
- Due to high temperatures, the appliance should be located out of traffic and away from furniture and draperies.
- Ensure you have incorporated adequate safety measure to protect infants/toddlers from touching hot surfaces.
- Even after the fire within the appliance is out, the glass and/or screen will remain hot for an extended period of time.
- Keep the packaging material out of reach of children and dispose of the material in a safe manner. As with all plastic bags, these are not toys and should be kept away from children and infants.
- Operate only with the door tightly closed unless instructed otherwise.
- Do not strike or slam shut the appliance door. Do not put excessive weight on the door.
- This appliance is designed to burn natural hardwood only for Australian models.
- Do not burn green or freshly cut wood.

CAUTION: THE USE OF SOME TYPES OF PRESERVATIVE-TREATED WOOD AS FUEL CAN BE HAZARDOUS.

- Your appliance requires periodic maintenance and cleaning. Failure to maintain your appliance may lead to smoke spillage into your home.
- Do not start a fire with chemicals or fluids such as gasoline, engine oil, etc.
- Do not burn treated wood, coal, charcoal, coloured paper, cardboard, solvents or garbage.
- Do not let the appliance become hot enough for any part to glow red.
- Do not overload or over fire the appliance.
- Ashes must be disposed in a metal container with a tight lid and placed on a non-combustible surface well away from the home or structure until completely cool.
- Ensure clearances to combustibles are maintained when building a mantel or shelves above the appliance. Elevated temperatures on the wall or in the air above the appliance can cause melting, discolouration or damage to decorations, a TV, or other electronic components.
- The appliance must be installed using only the building materials as approved by the manufacturer.
- Ensure that there is always a socket installed within 1 meter of the product that is accessible after installation.

WARNING

HOT GLASS WILL CAUSE BURNS. DO NOT TOUCH GLASS UNTIL COOLED.

NEVER ALLOW CHILDREN TO TOUCH GLASS.

B PRODUCT DETAILS

B1 Product Description

The TFS series is a free-standing wood fire.

B2 Product Dimensions

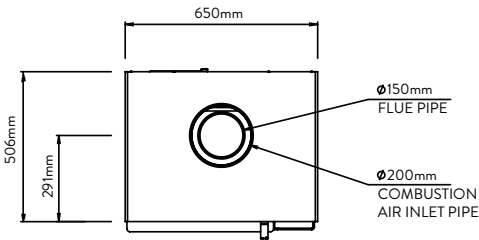
The TFS series consists of the TFS650 and TFS1000 fireplace. Plinths are available for purchase to go along with the free-standing woodfire.

GRC plinths (Glassfibre-Reinforced Concrete) are available for both TFS650 and TFS1000 products. The TFS1000 and 1500mm GRC Plinths can be used for both TFS650 and TFS1000 products. The sheetmetal plinths are available for both TFS650 and TFS1000 products.

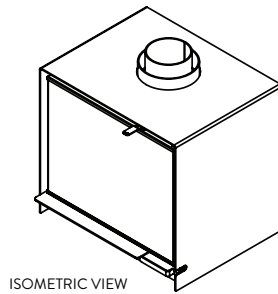
Dimensions for each fireplace and plinth options are available in the following pages.

For more detail, view architectural drawings at www.escea.com

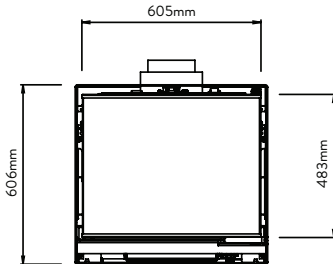
TFS650 Fire Dimensions:



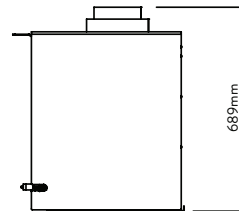
TOP VIEW



ISOMETRIC VIEW

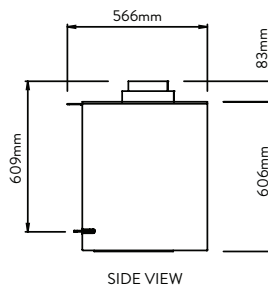
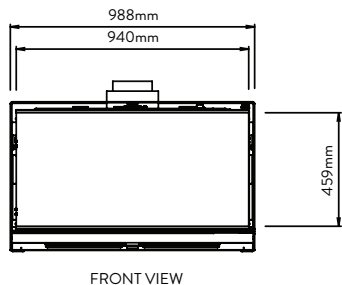
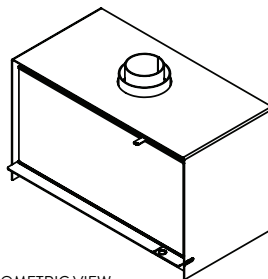
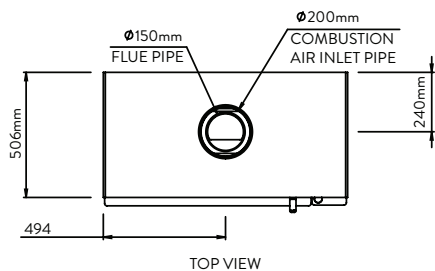


FRONT VIEW

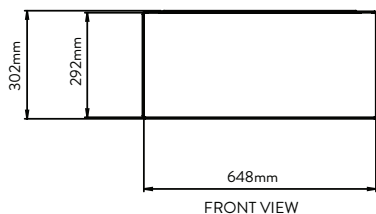
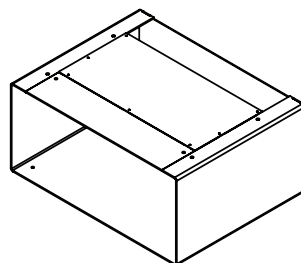
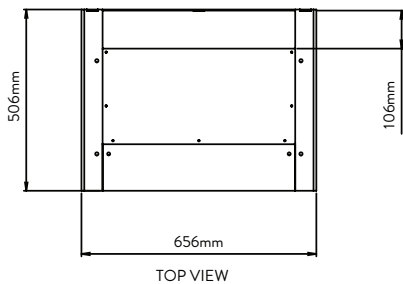


SIDE VIEW

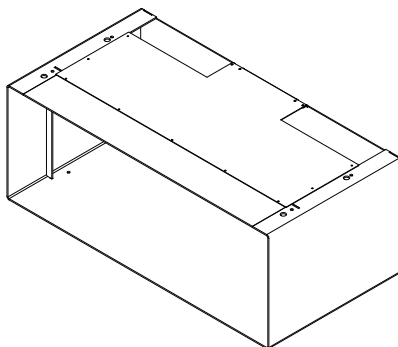
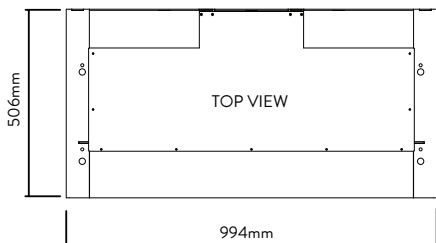
TFS1000 Fire Dimensions:



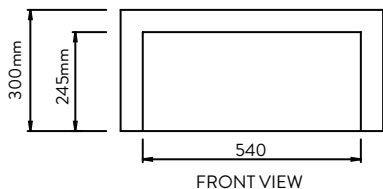
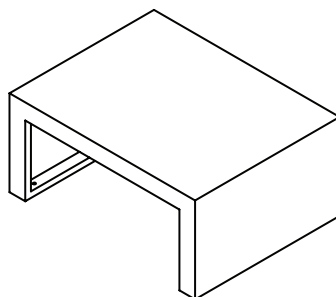
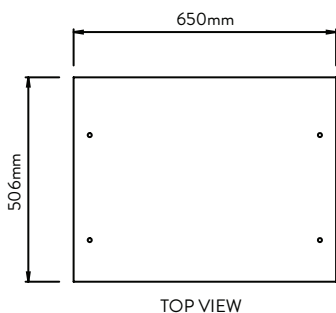
Sheetmetal Base 650W Dimensions:

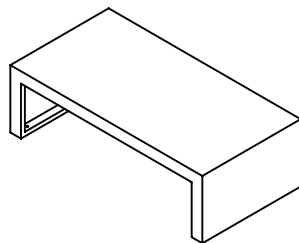
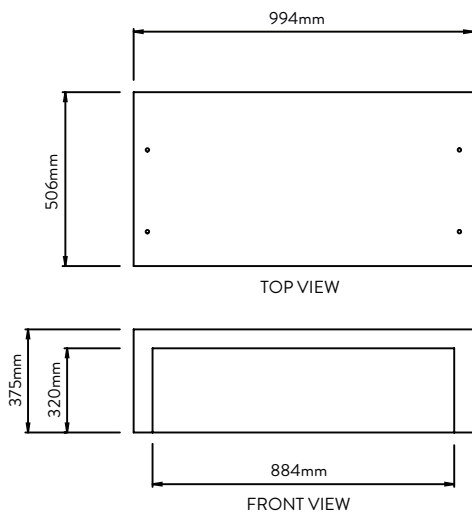
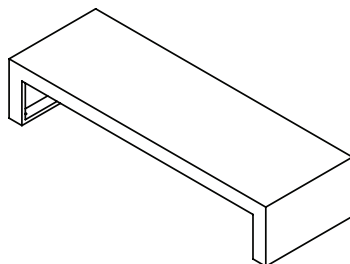
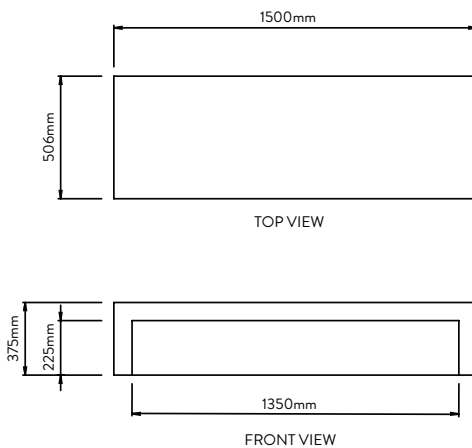


Sheetmetal Base 1000W Dimensions:



Plinth 650W Dimensions:



Plinth 1000W Dimensions:**Plinth 1500W Dimensions:**

B2 Specifications Table

TFS650:

Fuel Type		Hardwood
Average Particulate Emission	(g/kg)	0.97
Overall Average Efficiency	(%)	68.63
Maximum Average Heat Output	(kW)	6.75

TFS1000:

Fuel Type		Hardwood
Average Particulate Emission	(g/kg)	1.00
Overall Average Efficiency	(%)	61.88
Maximum Average Heat Output	(kW)	8.77

INSTALLATION PROCESS

C1 Installation - General

WARNING

THE INSTALLATION OF THIS FIREPLACE, CONSTRUCTION OF THE FIREPLACE ENCLOSURE AND THE FINISHING AND COMMISSIONING OF THE INSTALLATION IS A HIGHLY SPECIALIST TASK. ONLY AHHA APPROVED/ACCREDITED TRADESMEN SHOULD BE USED (AHHA - AUSTRALIAN HOME HEATING ASSOCIATION). FAILURE TO FOLLOW THESE REQUIREMENTS WILL VOID ALL WARRANTY TERMS.

THIS APPLIANCE AND ITS COMPONENTS ARE DESIGNED TO BE INSTALLED AND OPERATED AS A SYSTEM. ANY ALTERATION TO OR SUBSTITUTION FOR ITEMS IN THIS SYSTEM, UNLESS ALLOWED BY THESE INSTALLATION INSTRUCTIONS, WILL VOID THE LISTING AND MAY VOID THE PRODUCT WARRANTY. IT MAY ALSO CREATE A HAZARDOUS INSTALLATION.

READ THROUGH THESE INSTRUCTIONS THOROUGHLY BEFORE STARTING YOUR INSTALLATION AND FOLLOW THEM CAREFULLY THROUGHOUT YOUR PROJECT.

- Before beginning your installation, consult with your local building code agency or fire officials and insurance representative to ensure compliance.
- For the first two weeks use generous amounts of fuel and burn the appliance with the air control fully open for an hour as the appliance goes through a process of eliminating moisture in the steel and vermiculite panels. The initial heat output will be reduced while the moisture is being drawn from the appliance and it will be necessary to build several hot fires to remove this moisture.

WEAR GLOVES AND SAFETY GLASSES FOR PROTECTION

CAREFULLY FOLLOW THE INSTRUCTIONS FOR INSTALLATION AND USE. FAILURE TO DO SO MAY RESULT IN A FIRE, ESPECIALLY IF COMBUSTIBLES ARE TOO CLOSE TO THE APPLIANCE OR FLUE SYSTEM AND AIR SPACES ARE BLOCKED, PREVENTING THE FREE MOVEMENT OF COOLING AIR.

ESCEA ACCEPTS NO LIABILITY FOR IMPROPER INSTALLATION OR CONSEQUENTIAL DAMAGES.

Note: the appliance has been tested to AS/NZS 2918 Appendix B. The flue system has been tested to AS/NZS 2918 Appendix F.

C2 Safety Clearance Minimum Dimensions

If there is combustible flooring within 500mm of the appliance, a floor protector must be installed.

If there is combustible flooring directly in front of the appliance, the appliance must be installed on one of Escea's plinths/ bases, or another heat resistant structure of minimum height I (as detailed below). Additionally, a floor protector of any suitable heat resistant material must be installed to prevent any ash contacting the floor. The floor protector must extend not less than 300mm from the front of the appliance and not less than 200mm from each side of the appliance.

Dimension I can be reduced if the product is installed over an insulating, heat resistant floor complying with the requirements of AS/NZS 2918:2018 section 3.3.3.

TFS650 Clearances:

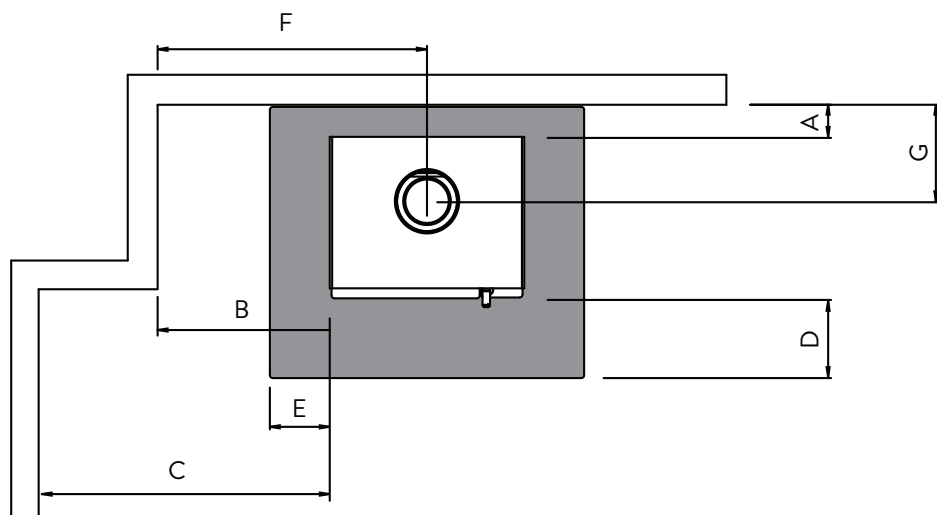
	A (Back) (mm)	B (Side, behind fire) (mm)	C (Side, infront of fire) (mm)	D (Floor Protector Front) (mm)	E (Floor Protector Side) (mm)	F (Flue Centre to Side) (mm)	G (Flue Centre to Back) (mm)	H (Top to Ceiling) (mm)	I (Offset height from floor) (mm)
Parallel Position	200	320	500	300	200	645	415	1420	300
Corner Position	100	100	N/A	300	200	490	490	1420	300

TFS1000 Clearances:

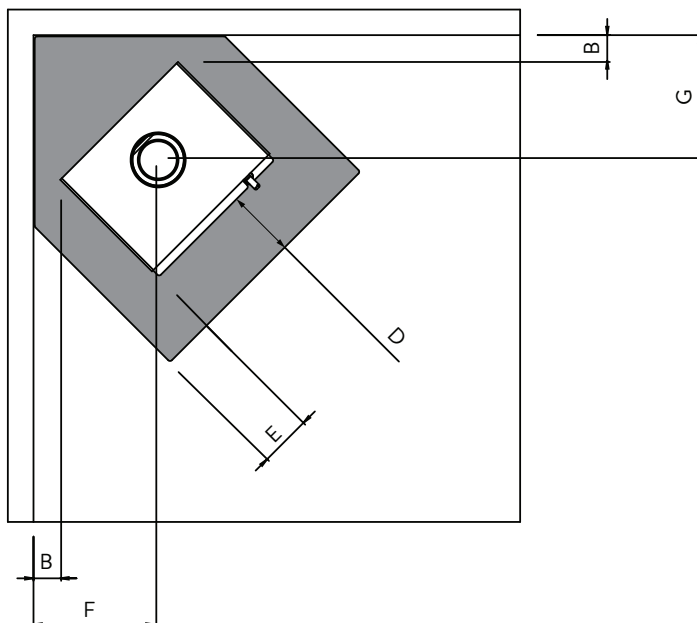
	A (Back) (mm)	B (Side) (mm)	C (Side, in front of fire) (mm)	D (Floor Protector Front) (mm)	E (Floor Protector Side) (mm)	F (Flue Centre to Side) (mm)	G (Flue Centre to Back) (mm)	H (Top to Ceiling) (mm)	I (Offset height from floor) (mm)
Parallel Position	200	370	500	300	200	864	440	1420	375

When installing the TFS and looking to reduce the clearance behind the fireplace, this must be in accordance with AS/NZS 2918 but doing so may interfere with servicing of the fan within the fireplace.

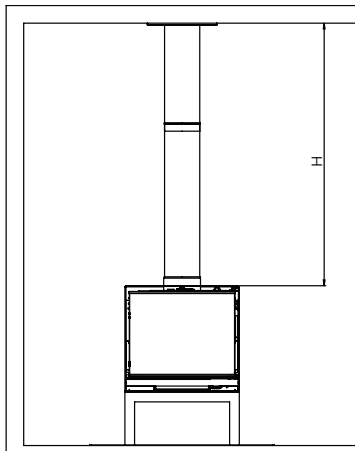
Parallel Position



Corner Position

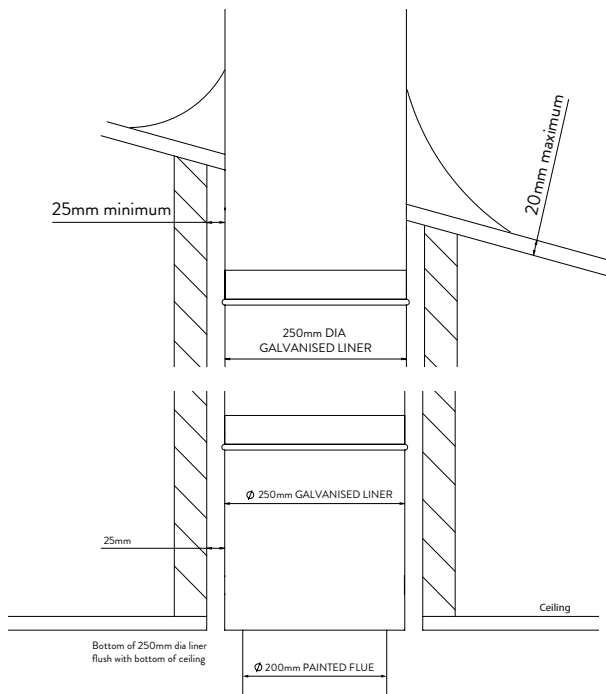


Height Clearances



Flue Clearances

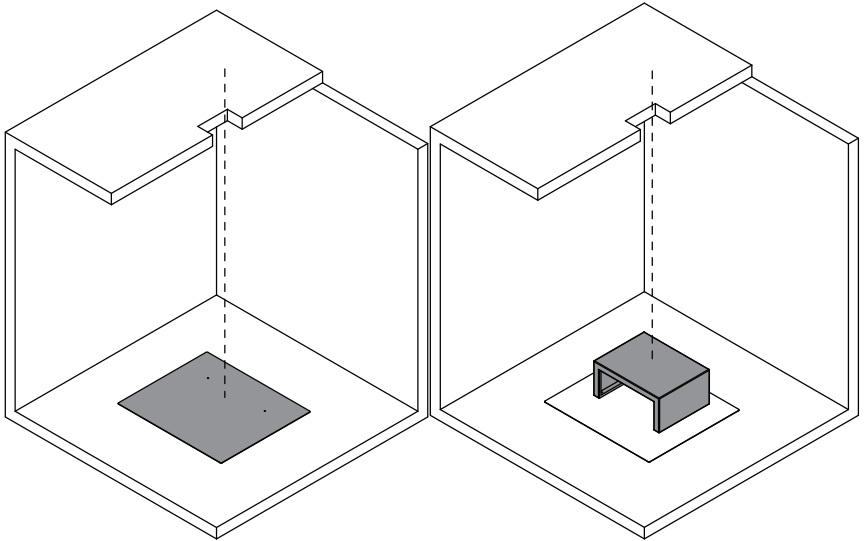
A minimum clearance of 25mm between the 250mm liner and any combustible material must be maintained. Note: the Escea ceiling plate must be installed to comply.



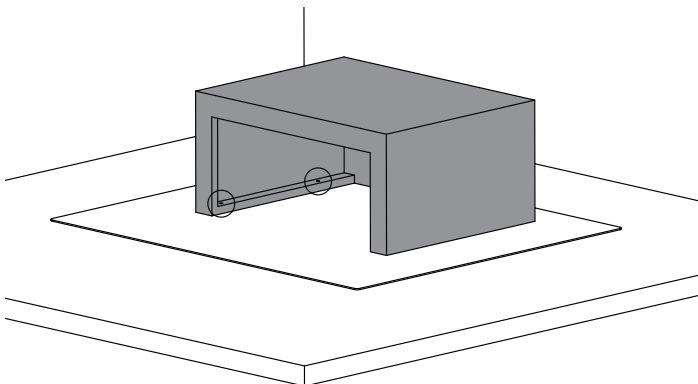
C3 Appliance Installation

1. Place the floor protector on the floor. Ensure that the floor protector is properly centred to the location of the flue exit hole on the ceiling. Place the plinth or base on the floor protector once the location of floor protector is set.

*Note: Safety clearance requirements for the woodfire must be taken into account when setting the floor protector location.

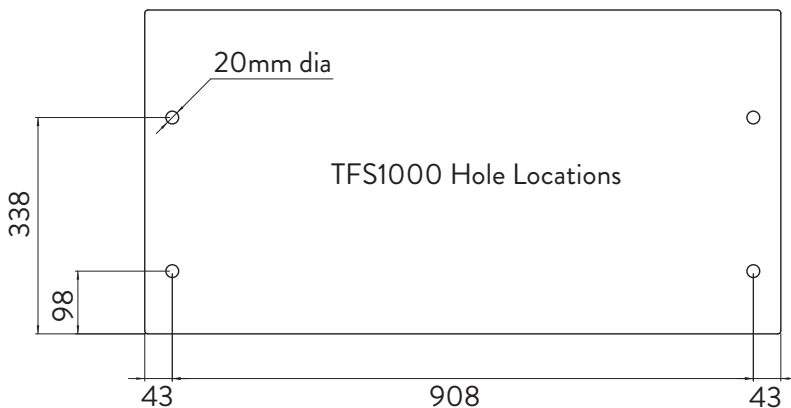
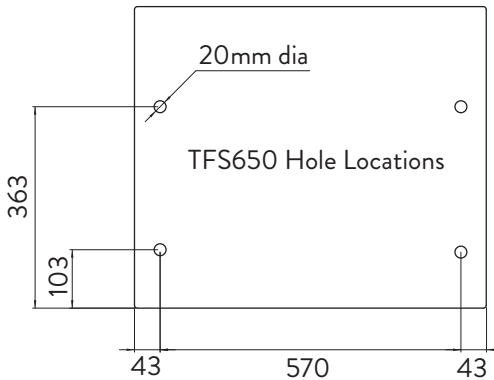
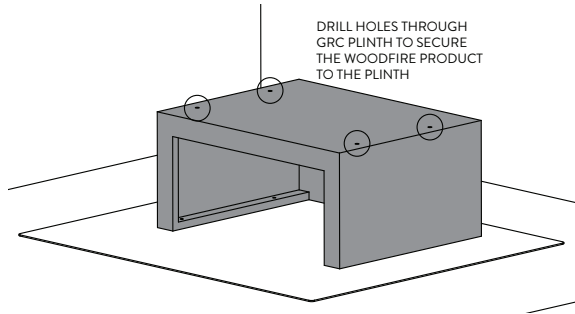


2. Escea recommends the plinth/base and floor protector be secured to the floor. Into timber floors secure with 4x M6 bolts or coach screws (minimum), through the pre-drilled holes on the plinth and floor protector (circled below). For concrete floors, use M6 concrete screws or expansion anchors.



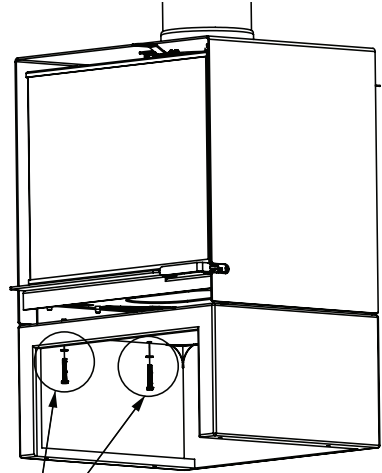
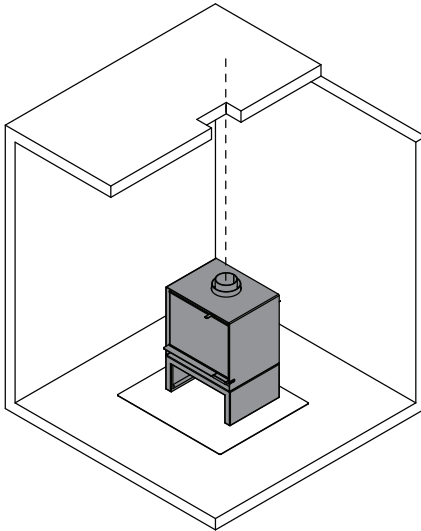
3. If installing onto one of the Escea Plinths, drill holes for mounting the fire, as per the schematics below. If installing onto the Escea base, this will not be necessary as the base already has mounting holes in the sheetmetal.

Note: if installing onto the 1500W Plinth, drill the same holes for the product, but offset to where the fire is being positioned on the plinth.



- Place the appliance on top of the plinth and secure it to the plinth. Use the supplied 4x M8x50 Hex bolts and 4x M8 x 32 washers to bolt through the plinth to the appliance.

*Note: Before placing the fire on the plinth, pre-drill 3x 3.3mm dia flue fixing holes on both the fireplace \varnothing 150mm and \varnothing 200mm spigots.



USE M8 x 32 WASHER AND
M8 x 50 BOLT HEX BOLT FOR
EACH HOLE

2x HOLES ON EACH SIDE

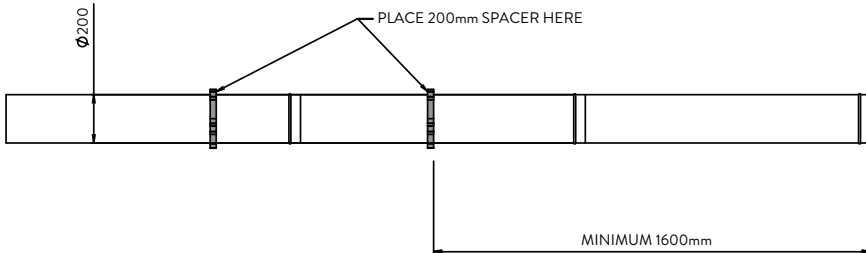
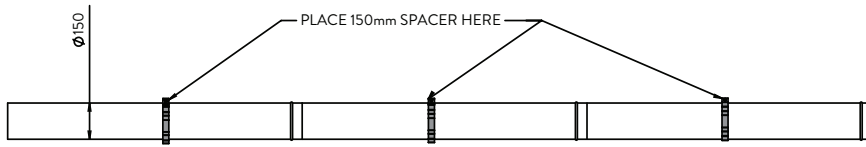
- Connect 3x pieces of the 1219mm long, \varnothing 150mm flue pipe together to create a long flue pipe. Drill through flue pipes and use a minimum of 3x SS rivets to connect flue pipes together.

Place \varnothing 150mm flue spiders around each of the \varnothing 150mm flue pipe. Tighten the screws and nuts to secure the spiders to the flue pipes. Drill through spider and flue pipes and use a minimum of 3x SS rivets to further secure the spiders to flue.

Connect 3x pieces of the 1219mm long, \varnothing 200mm flue pipe together to create a long flue pipe. Drill through flue pipes and use the provided rivets to connect flue pipes together.

Place \varnothing 200mm flue spiders around each of the \varnothing 200mm flue pipe. Tighten the screws and nuts to secure the spiders to the flue pipes. Drill through spider and flue pipes and use a minimum of 3x SS rivets to further secure the spiders to flue.

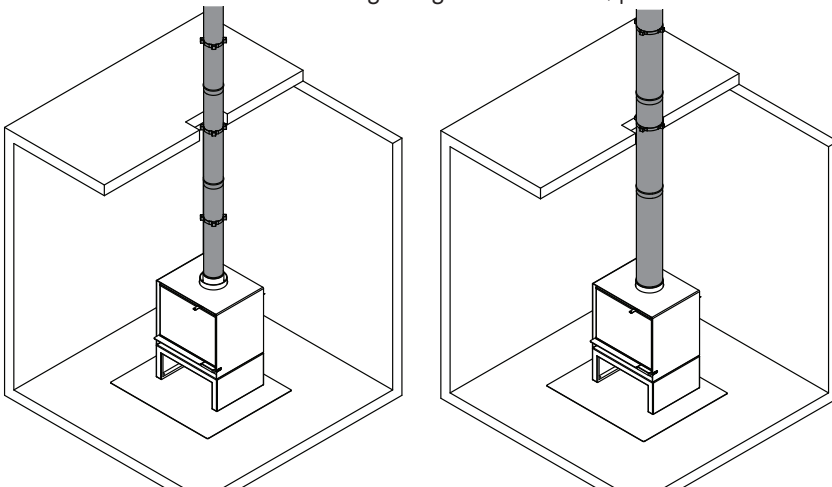
*Note: For more information regarding flue installation and minimum requirements, please refer to section C4.



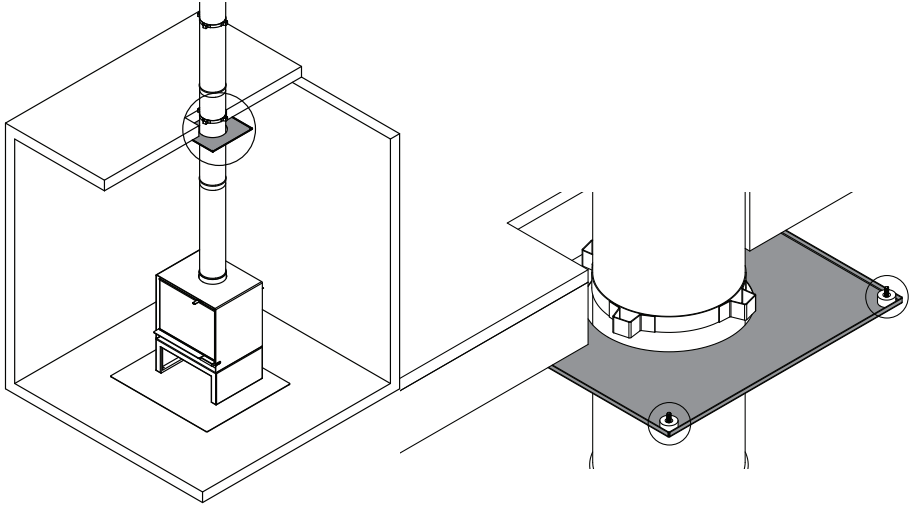
6. Place the Escea ceiling plate over the spigots on the fire (folds pointing upwards). The ceiling plate is supplied with the Escea Freestanding Flue Kit.
7. Position the long Ø150mm flue pipe (with the crimped end pointing downwards) into the inner spigot. Use a minimum of 3x rivets to fasten the Ø150mm flue pipe through pre-drilled holes on the Ø150mm spigot.

Position the long Ø200mm flue pipe (with the crimped end pointing downwards) into the outer spigot. Use a minimum of 3x rivets to fasten the 200mm flue pipe through pre-drilled holes on the outer spigot.

*Note: For more information regarding flue installation, please refer to section C4.



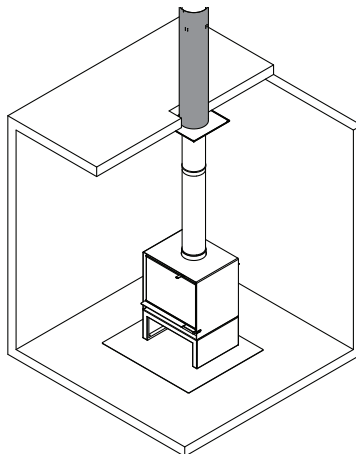
8. Secure the ceiling plate on to the ceiling. Use the 4x supplied machine pozi screws and 4x 12mm ceramic spacer.



9. Cut one of the $\text{\O}250\text{mm}$ galvanised liners from a length of 1219mm length to match the required liner length. Then connect the 2 pieces of the $\text{\O}250\text{mm}$ liners together to create a long liner pipe. Use a minimum of 3x SS rivets to connect flue pipes together.

Position the $\text{\O}250\text{mm}$ flue liners above the ceiling plate (with the crimped end pointing upwards). Align the $\text{\O}250\text{mm}$ liner so that the end is flush with the ceiling and attach the flue liner to ceiling and roof beams using appropriate fasteners. Note: above the ceiling penetration and below the roof penetration, a 25mm clearance to any combustible material must be maintained.

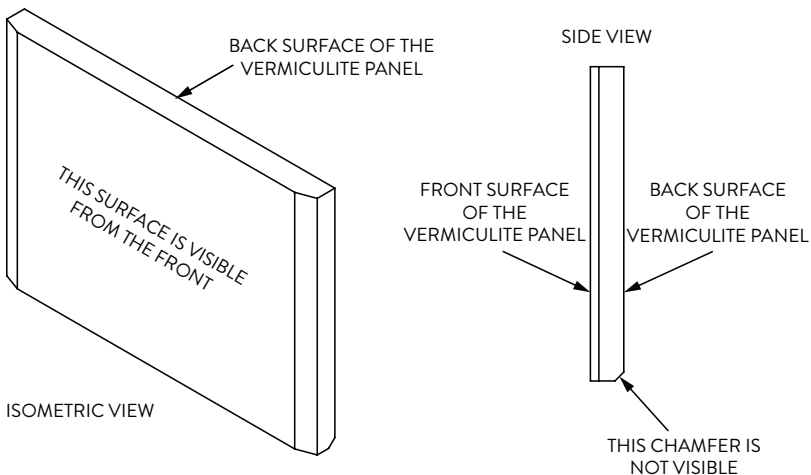
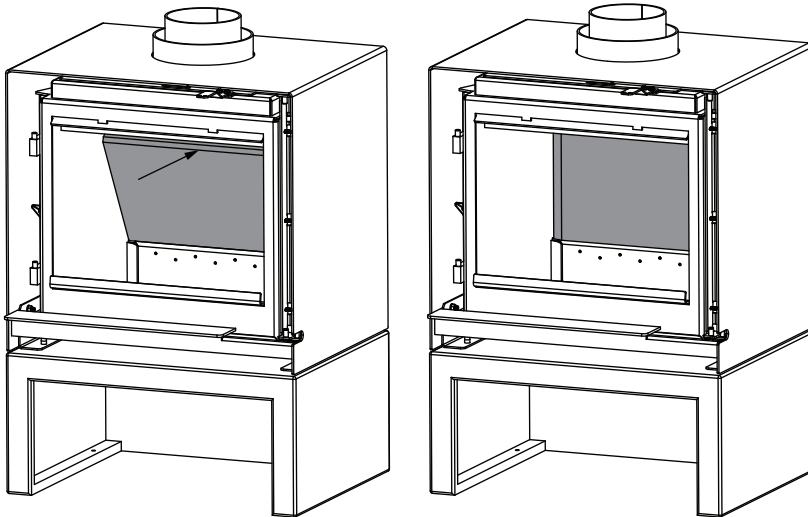
For more information regarding flue installation, please refer to section C4.



10. Install the back vermiculite panel by tilting the panel and placing the bottom edge of the back panel above the ember air plenum. Carefully push the top of the back panel towards the back wall of the firebox.

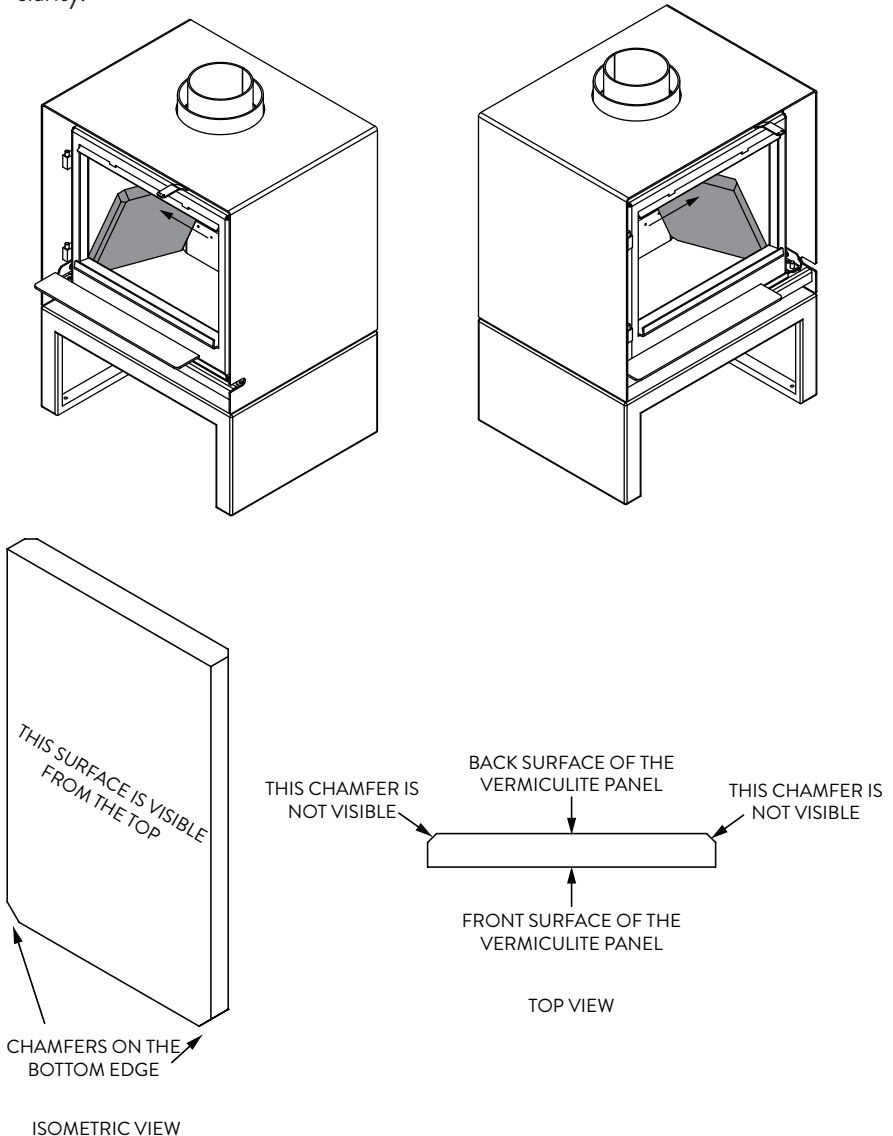
*Note: Please hold the back panel in place while placing the side panels in place to prevent it from tipping over.

*Note: Please refer to the diagram below for the correct orientation of the back vermiculite panel during installation to the firebox. The door has been removed for clarity.



11. Install the left and right side vermiculite panels next by placing the panels on the sides above the firebox base. Carefully push the top of the side panels towards the side walls of the firebox.

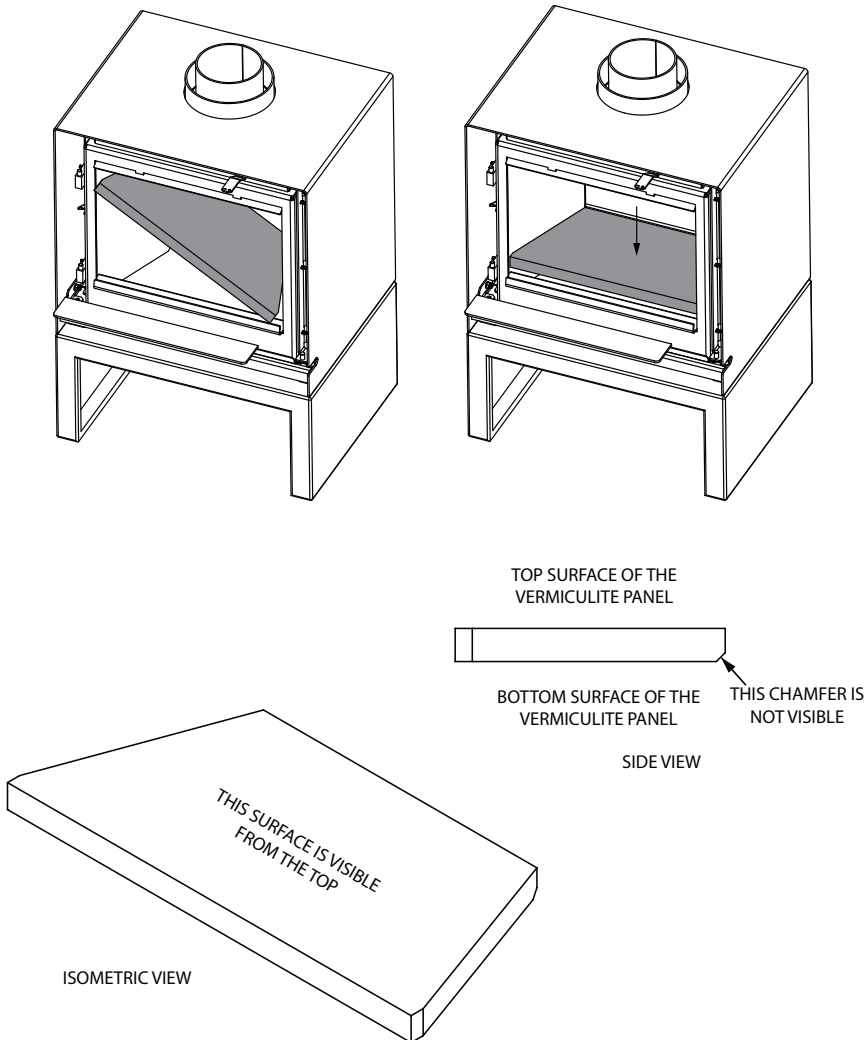
*Note: Please refer to the diagram below for the correct orientation of the side vermiculite panels during installation to the firebox. The door has been removed for clarity.



12. Install the bottom vermiculite panel by placing it above the firebox base. Tilt the base panel roughly 30° to fit the panel through the firebox opening.

The door will be re-assembled to the product after installing the bottom vermiculite panel. Re-engage the door hinge to the hinge pins to re-attach the door to the product.

*Note: Please refer to the diagram below for the correct orientation of the base vermiculite panels during installation to the firebox. The door has been removed for clarity.



C4 Flue Installation

Any flue system used on this fire must comply and be installed to fully meet the requirements of AS/NZS 2918:2018 Domestic solid fuel burning appliances – Installation.

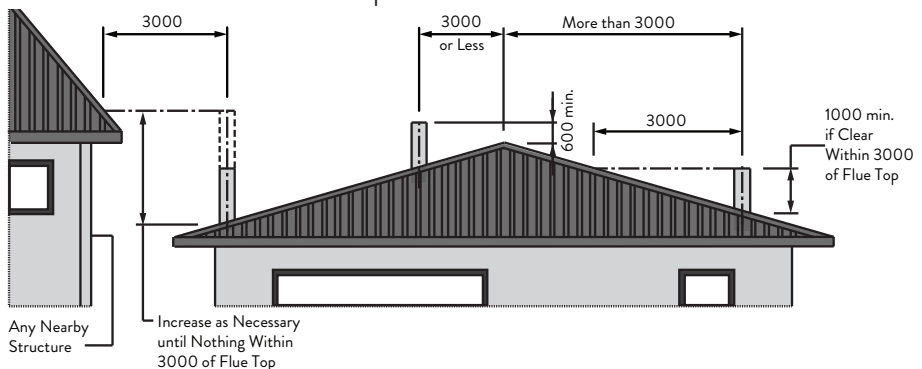
Flue Pipes:

The flue system is comprised of the following

- 150mm diameter stainless steel flue for the exhaust air
- 200mm diameter painted stainless steel flue for the intake air.
- 250mm diameter galvanised steel outer liner for venting.

External Clearances:

The external clearances of the flue must comply to meet the requirements of AS/NZS 2918:2018 Section 4.9 - External Requirements



Flue Size - Minimum Requirements

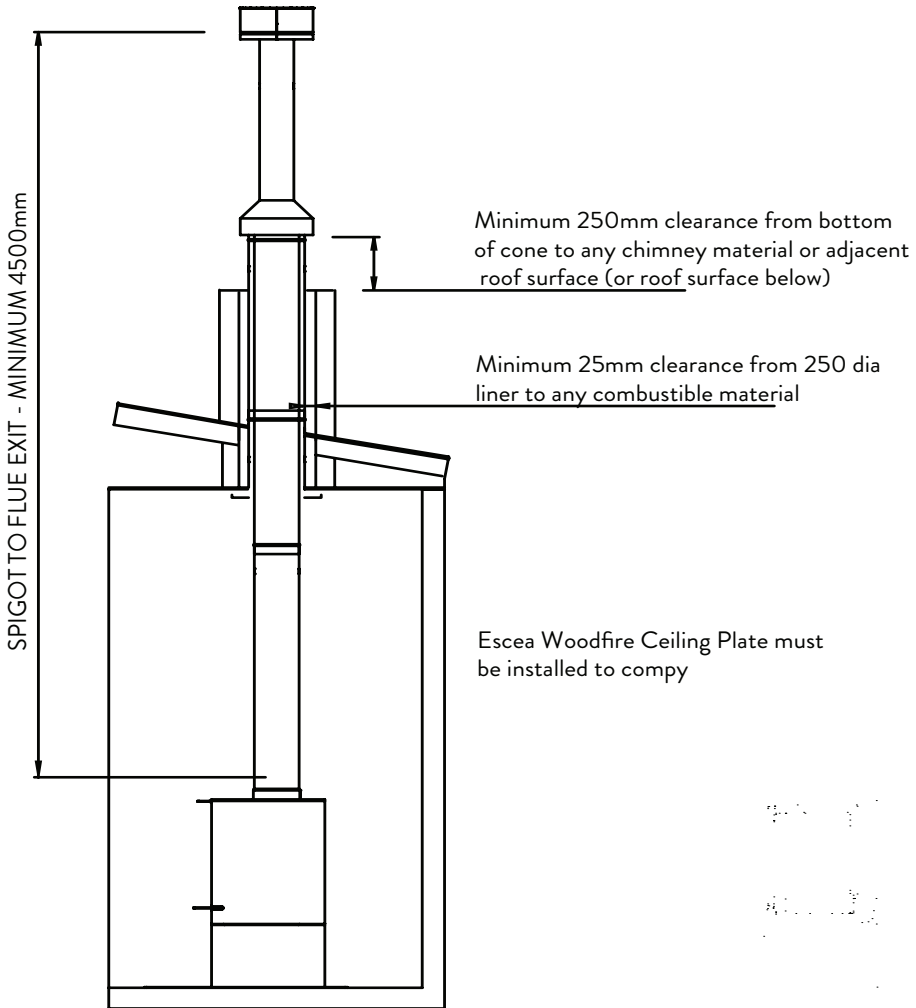
The woodfire product is supplied with flue lengths of 1219mm (for all flue and liner diameters) and 1x 915mm (for the Ø150mm flue). The total height of the flue kit that will be supplied is 4.5m (from the flue spigot to the flue exit).

There **MUST** be a minimum of 4.5m of flue installed above the spigot. Pipes can be cut down on site to satisfy this minimum requirement.

The flue lengths above the cone **MUST NOT** be cut down as the 915mm length 150mm diameter section is required for the fireplace to draw effectively.

Flue Clearances

A minimum clearance of 25mm between the 250mm liner and any combustible material must be maintained. Note: the Escea ceiling plate must be installed to comply.



General Installation Procedure:

*Note: The total length of the connected flue pipes must be within the requirements of AS/NZS 2918:2018 Domestic solid fuel burning appliances - Installation.

Do not cut any of the flue pipes above the flue cone. For minimum flue dimensions, refer to Flue Size - Minimum Requirements section.

1. Connect 3x pieces of the 1219mm long, Ø150mm flue pipes together to create a long flue pipe. Drill through the flue pipes and use a minimum of 3x stainless steel rivets per flue joint.

Place Ø150mm flue spiders around each of the Ø150mm flue pipes. Tighten the screws and nuts to secure the spiders to the flue pipes. Drill through spider and flue pipes and use a minimum of 3x stainless steel rivets to secure the spiders to the flue.

Position the long Ø150mm flue pipe (with the crimped end pointing downwards) into the appliance's inner spigot. Use a minimum of 3x stainless steel rivets to fasten the Ø150mm flue pipe to the inner spigot.

2. Connect 3x pieces of the 1219mm long, Ø200mm flue pipes together to create a long flue pipe. Drill through the flue pipes and use a minimum of 3x stainless steel rivets per flue joint.

Place Ø200mm flue spiders around each of the Ø200mm flue pipes. Tighten the screws and nuts to secure the spiders to the flue pipes. Drill through spider and flue pipes and use a minimum of 3x stainless steel rivets to secure the spiders to flue.

Position the long Ø200mm flue pipe (with the crimped end pointing downwards) into the appliance's outer spigot. Use a minimum of 3x stainless steel rivets to fasten the 200mm flue pipe to the outer spigot.

3. Connect 3 pieces of the 1219mm long, Ø250mm liner pipe together to create a long liner pipe. Drill through the liner pipes and use a minimum of 3x stainless steel rivets per joint. Note: the third piece of Ø250mm liner will need to be cut down such that it is flush with the Ø200mm flue pipe end when installed.

Position the long Ø250mm flue liner (with the crimped end pointing upwards) over the zero clearance kit spigot on the top panel of the zero clearance kit. Use a minimum of 3x stainless steel rivets to fasten the 250mm liner pipe to the zero clearance kit spigot.

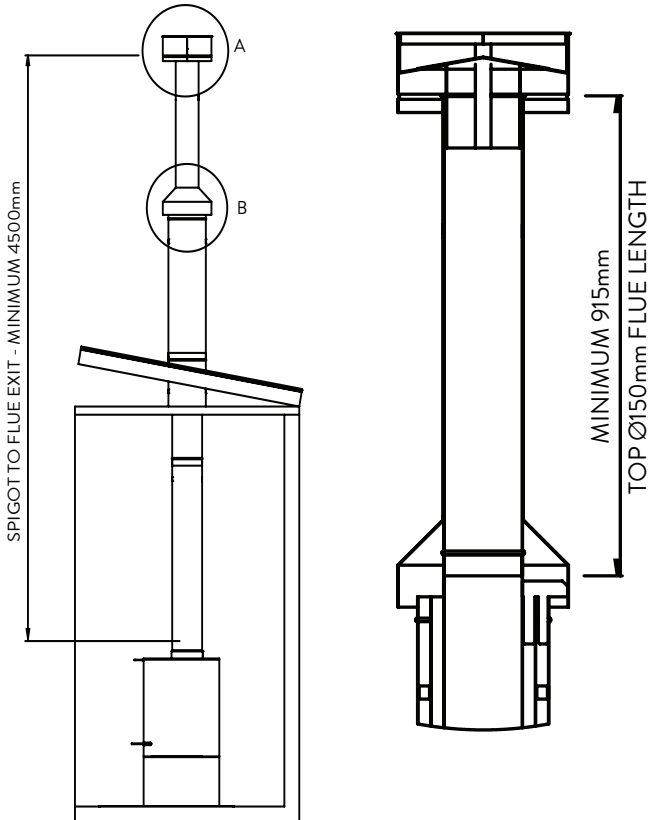
4. Install the top section of the flue kit as per the instructions below.

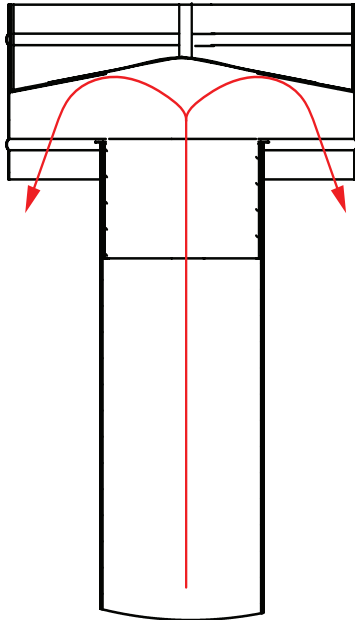
Escea Classic Flue Kit:

Escea's woodfire flue system is unique as it draws combustion air from the same pressure zone as the exhaust gases, eliminating downdrafts and ensuring an efficient burn.

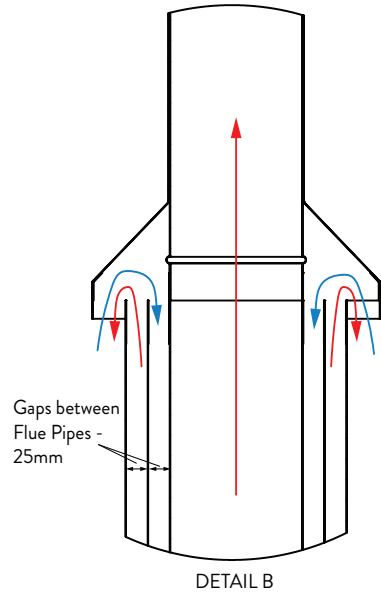
*Note: The total length of the connected flue pipes must be within the requirements of AS/NZS 2918:2018 Domestic solid fuel burning appliances - Installation. Additionally, Escea requires a minimum of 4.5m of flue above the spigot.

Do not cut any of the flue pipes above the flue cone. For minimum flue dimensions, refer to Flue Size - Minimum Requirements section.



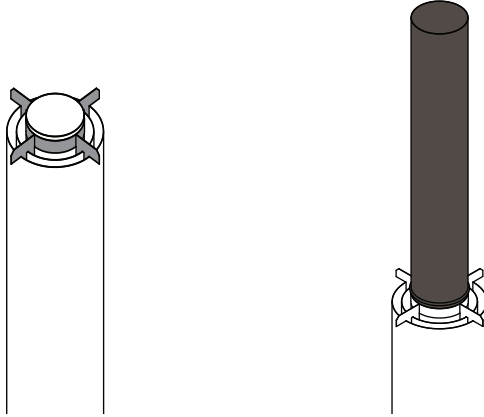


DETAIL A



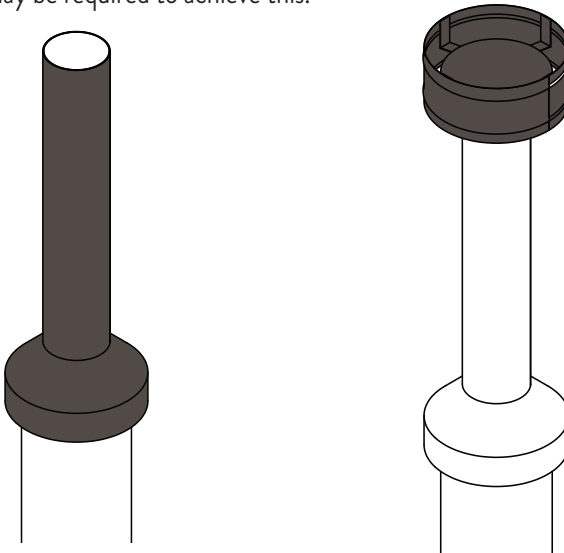
Installation Procedure - Classic Flue Kit:

1. Install partially completed flue system according to the general installation procedures.
2. Place the 150mm cone spacer above the flue system and tighten the nut to hold it in place. Connect the 915mm long, 150mm diameter flue pipe to the existing long flue pipe. Drill through and rivet through the spacer and flue pipes using SS rivets.



3. Assemble the cone pipe assembly to the 150mm diameter flue pipe. Assemble the cowl to the 150mm diameter flue pipe. Drill through and rivet through the cone pipe, cowl and flue pipe using a minimum 3x SS rivets.

*Note: Ensure a good mechanical seal between the cowl and cone. This is necessary to keep rain out of the flue system. The lip on the cowl must overhang the flue all around. More rivets may be required to achieve this.

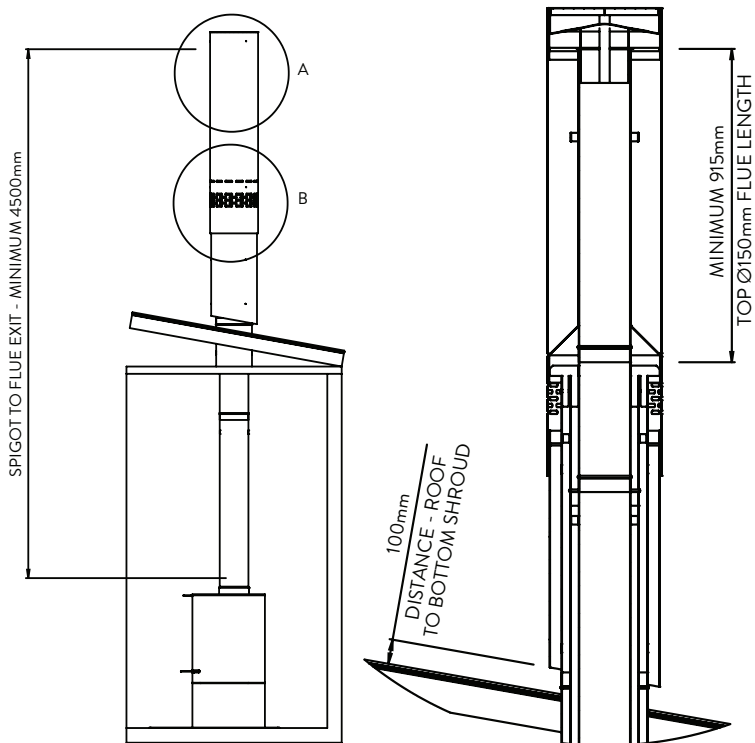


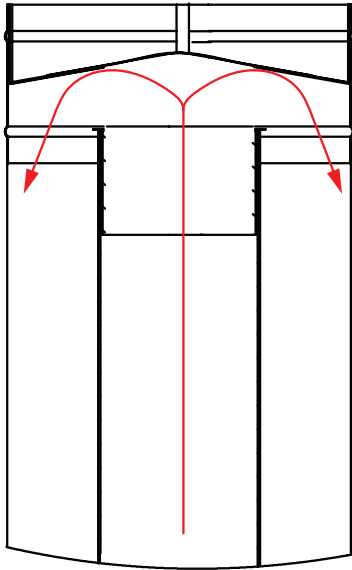
Optional Accessory - Escea Designer Flue Shroud:

A minimalist shroud can be purchased as an optional accessory to the Escea flue kit, providing a sleek design solution.

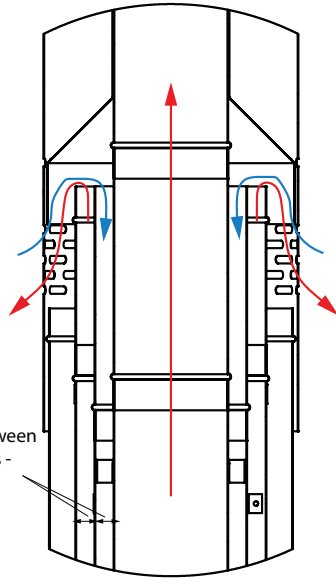
*Note: The total length of the connected flue pipes must be within the requirements of AS/NZS 2918:2018 Domestic solid fuel burning appliances - Installation.

Do not cut any of the flue pipes above the flue cone. For minimum flue dimensions, refer to Flue Size - Minimum Requirements section.





DETAIL A



Gaps between
Flue Pipes -
25mm

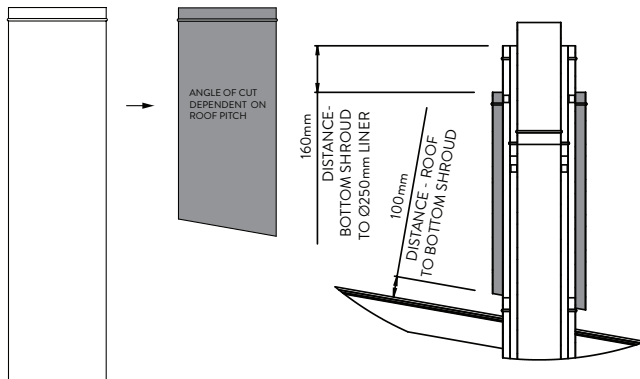
DETAIL B

SCALE 2 : 17

Installation Procedure - Escea Designer Flue Kit

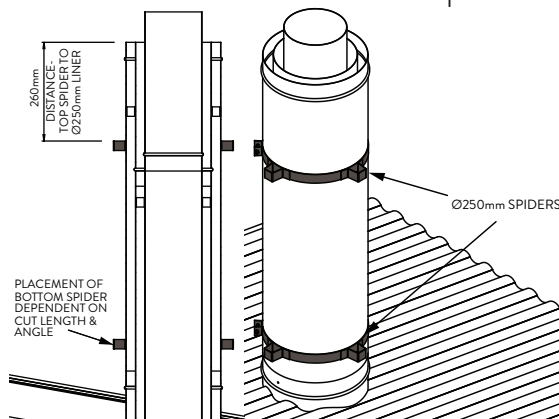
1. Install the Escea Classic Flue Kit as per the above instructions.
2. Cut the bottom shroud from the non-crimped end to be above by 100mm from the roof line. Be aware of the roof pitch when cutting the bottom shroud. If required, a cutting template for the flue can be provided showing common roof pitches.

Note: The bottom shroud will be below the top end of the $\text{Ø}250\text{mm}$ flue liner by 160mm; this distance must be considered when cutting the Bottom Shroud.



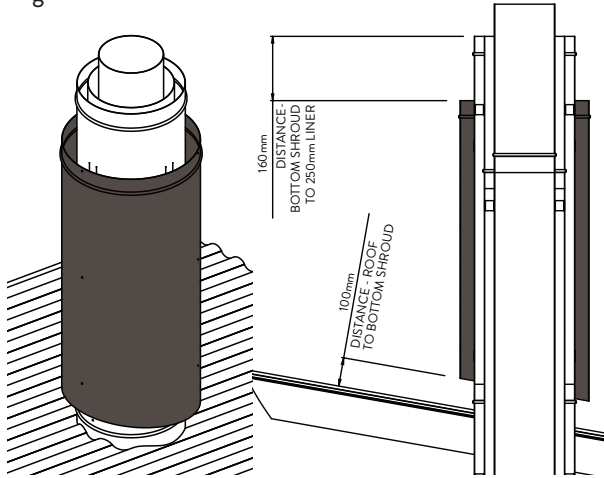
3. Place 2x $\text{Ø}250$ spiders on the $\text{Ø}250\text{mm}$ flue liner which will align the bottom shroud to the main flue assembly. The top spider must be at least 260mm lower than top edge of the $\text{Ø}250\text{mm}$ flue liner. The position of the bottom spider will be dependent on the cut length of the bottom.

Tighten the screws and nuts to secure the spiders to the flue liners. Drill through spider and flue pipes and use 3x SS rivets to further secure the spiders to the flue.

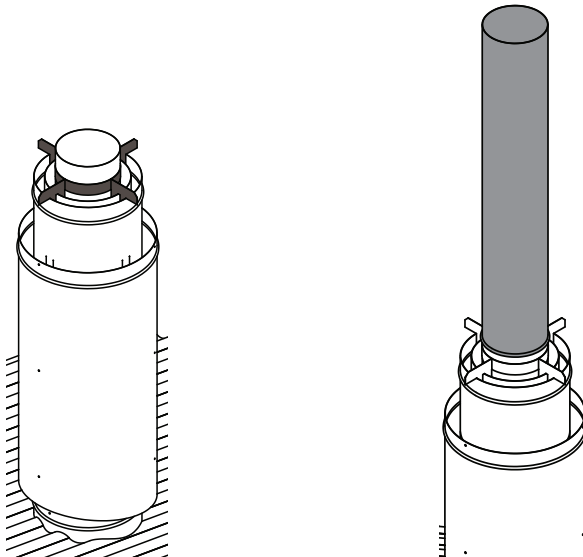


- Place the bottom shroud around the flue system, on the $\text{\O}250$ spiders. Position the bottom shroud below the top end of the $\text{\O}250\text{mm}$ flue liner by 160mm, as mentioned in Step 2.

Drill through the legs of the $\text{\O}250$ spiders and secure the bottom shroud to these spider legs using 4x SS rivets.

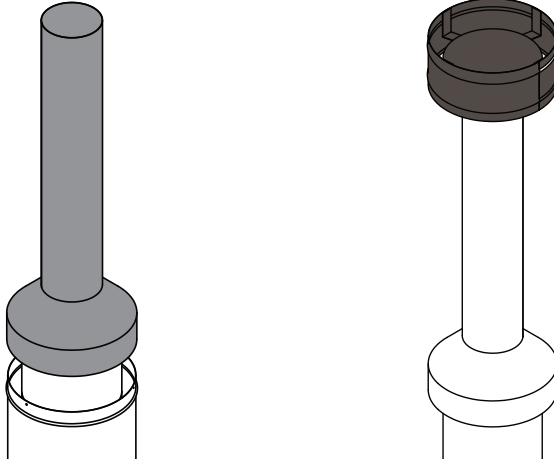


- Place the 150mm cone spacer above the flue system. Connect the 915mm long, 150mm diameter flue pipe to the existing long flue pipe. Drill through flue pipes and use a minimum of 3x SS rivets to connect the flue pipes together.



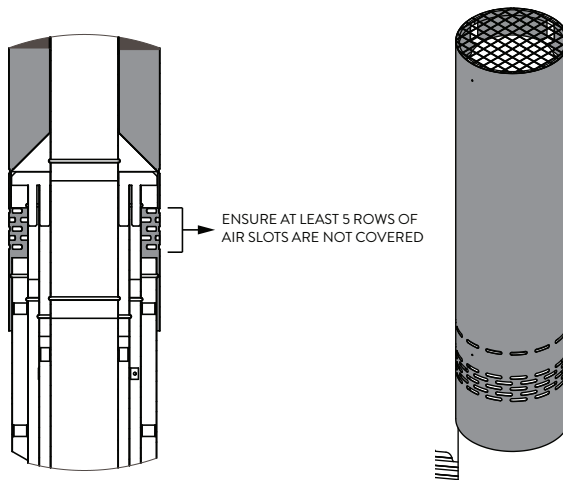
6. Assemble the cone pipe assembly to the 150mm diameter flue pipe. Assemble the cowl to the 150mm diameter flue pipe. Drill through and rivet through the cone pipe, cowl and flue pipe using a minimum of 3x SS rivets.

*Note: Ensure a good mechanical seal between the cowl and cone. This is necessary to keep rain out of the flue system. The lip on the cowl must overhang the flue all around. More rivets may be required to achieve this.



7. Slide the top shroud over the flue system. Secure the top shroud to the cowl and to the cone pipe assembly. Drill through and rivet through the cone pipe, cowl and top shroud using 3x of the provided SS rivets.

*Note: Ensure that the at least five rows of the top shroud air slots are not blocked by the cone.

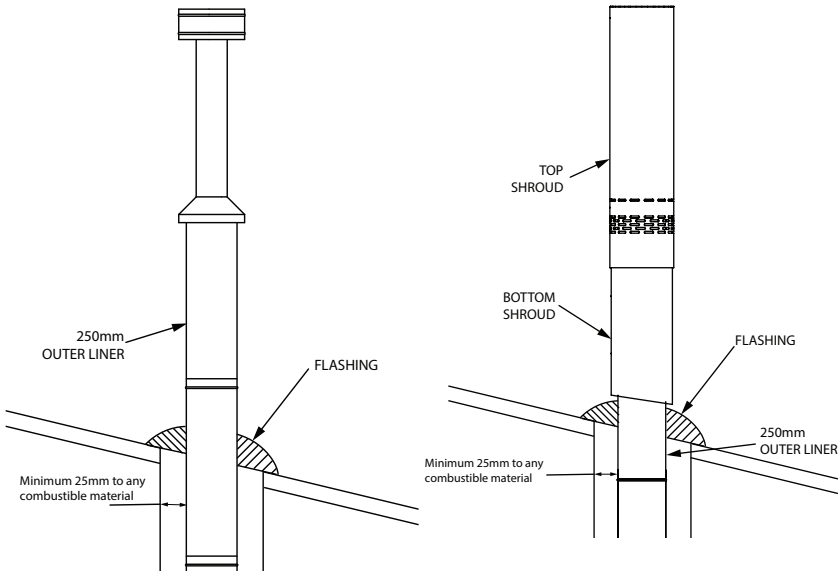


Flue Restraints:

The flue above the roof must be restrained as per AS/NZS 2918:2018 Section 4.10 - Fixing

Flue Flashing:

The rubber flashing, flashing plate and other flashing material used must comply with the relevant building code/ local building regulations. Silicone flashing is the recommended flashing material for both the Classic flue kit and with the Designer Shroud accessory.



C5 Electrical Information

The free-standing wood fires will be connected to the mains power via a 3 pin plug. The product has a thermal switch which will trigger at an optimal temperature to turn the fan on.

You can choose to turn the fan off or control the fan output using the fan switch at the back of the fire. The fan can be set low or fan-boost depending on the desired output:

- Set switch position to “1” to set the fan speed to “Low”.
- Set switch position to “2” to set the fan speed to “Fan-Boost“
- Set switch position to “0” (Neutral Position) to turn the fan off.

Ensure that there is always a socket installed within 1 meter of the product that is accessible after installation. Ensure that an isolation switch is hard-wired to the wall.

Escea will supply a replacement supply cord if the supply cord is damaged. An Escea service agent or a similarly qualified person will conduct maintenance of the supply cord to avoid any hazards.

D OPERATION GUIDE

WARNING

DO NOT MODIFY THIS APPLIANCE.

BURN WELL SEASONED WOOD ONLY
(LESS THAN 25% MOISTURE).

ALWAYS OPERATE THIS APPLIANCE
WITH THE DOOR CLOSED AND LATCHED
EXCEPT DURING START UP AND RE-
FUELING.

ALWAYS WEAR GLOVES TO PREVENT
INJURY.

DO NOT LEAVE THE FIRE UNATTENDED
WHEN THE DOOR IS UNLATCHED OR
WHEN USING A SPARK SCREEN AS
UNSTABLE WOOD COULD FALL OUT OF
THE FIRE CHAMBER CREATING A FIRE
HAZARD TO YOUR HOME.

NEVER EVER, NOT EVEN FOR A
BRIEF MOMENT, LEAVE CHILDREN
UNATTENDED WHEN THERE IS A FIRE
BURNING IN THE APPLIANCE.

NEVER USE GASOLINE, GASOLINE-TYPE
LANTERN FUEL, KEROSENE, CHARCOAL
LIGHTER FLUID, OR SIMILAR LIQUIDS TO
START OR 'FRESHEN UP' A FIRE IN THIS
APPLIANCE.

KEEP ALL SUCH LIQUIDS WELL AWAY
FROM THE APPLIANCE WHILE IT IS IN
USE.

OBJECTS PLACED IN FRONT OF THE
APPLIANCE SHOULD MAINTAIN A SAFE
DISTANCE.

OPEN AIR CONTROL (AND DAMPER
WHEN FITTED) BEFORE OPENING FIRING
DOOR.

HOT WHILE IN OPERATION: KEEP
CHILDREN, CLOTHING AND FURNITURE
AWAY.

WARNING

DO NOT OPERATE YOUR APPLIANCE
WITH THE DOOR OPEN OR AJAR.

ONLY OPEN THE DOOR WHEN FUELING/
RE-FUELING YOUR APPLIANCE.

WEAR SUITABLE GLOVES TO OPERATE
YOUR APPLIANCE.

NEVER OPERATE THE STOVE WITH THE
GRATE COVER REMOVED.

DO NOT POKE OR STIR THE LOGS WHILE
THEY ARE BURNING.

AVOID RISK OF BURNS. REMOVE
OPERATIONAL TOOL AFTER USE!!!

BRIEF CONTACT MAY CAUSE SKIN
BURNS.

D1 First Fires

The first fire(s) in your appliance may be difficult to get going and keep going with a lesser amount of heat being generated. This is a result of the moisture being driven out of the vermiculite panels. Allow several hours of hot fires before your appliance will perform optimally.

During the break-in period (the first 2 or 3 fires) create only small, hot fires using kindling or small wood pieces. Do not be alarmed if small hairline cracks develop in the vermiculite and some painted parts may also produce a smell. These are normal occurrences and do not pose safety hazards.

D2 Recommended Methods of Lighting a Fire

Traditional Method of Lighting a Fire (Bottom Up):

To start, a brisk fire is required. Place loosely crumpled paper on the floor of the appliance and cover with dry kindling. Fully open the flue damper by moving the handle to the right. Light the paper and close the door. Alternatives to paper such as firelighters can also be used to light the fire.

To maintain a brisk fire, a hot ember bed must be established and maintained.

Slowly add slightly larger wood pieces. Lay the pieces lengthwise from front to back in the hot ember bed with a small gap between each piece so that the air can flow directly into this gap and ignite the fuel above.

When the fire seems to be at its peak, medium/large sized logs may be added. Close the door immediately after refueling to avoid drawing room air into the firebox.

WARNING

NEVER LOAD THE WOOD HIGHER THAN HALF WAY UP THE HEIGHT OF THE FIREBOX

As soon as the door is closed, you will observe a change in the flame pattern due to room air not getting into the firebox. The flames will get smaller and lazier as result because less oxygen is getting into the combustion chamber.

The flames will remain lazy but become larger again as soon as the firebox has been heated thoroughly and the flue system becomes heated and provides a good draft. At this point, the roaring fire that you see when the door is opened is wastefully drawing heated room air up the flue; this is not desirable.

You can now add larger pieces of wood and operate the appliance normally. Once the appliance is entirely hot, it will burn very efficiently with little smoke from the flue. There will be a bed of orange embers in the firebox.

You can safely fill the firebox with wood up to 50%.

Once the medium sized firewood is burning briskly and an ember bed has started to establish you can control the fire adjusting the flue damper handle.

Sliding the control to the left will reduce the air and result in a slower burning and less intense fire/heat. Sliding the control to the right will result in more air and a quicker burn with more intense fire/heat.

Learning to manage the appliance to your liking requires some practice, as you must first become familiar with its functioning. Do not expect an immediate reaction of the fire when you adjust the air control. The flame will not intensify or diminish quickly as is the case with liquid or gas fuels. Solid fuels like firewood react more slowly.

Top – Down Lighting Method (Alternative)

Lighting a fire can sometimes be difficult. The following method of lighting a fire is one that is widely practiced in other parts of the world. This is a tried and tested procedure which is better for the environment.

If you experience problems with the traditional (bottom up) method, particularly relating to smoke spillage then please try the following:

People often talk about top down and bottom up lighting. You either start lighting from the top or from the bottom. The top down method produces less soot and ashes (better for the environment), minimises smoke spillage into the room, ensures better air supply and makes the first wood load last longer.

What you will need:

- 3 or 4 larger logs of wood (dry)
- 8 to 12 pieces of kindling sticks
- Firelighters
- Matches

Step 1:

- Ensure that all air control in the fireplace is fully open (if available). Put the logs on the bottom of the fireplace. It is important that the wood is cleft and dry. The logs may be as thick as a fist or thicker.

Step 2:

- Add a layer of small logs of about 4 cm, and then one or two layers of kindling. Remember that air is important – approx. 1 cm between the pieces of wood is the perfect spacing.

Step 3:

- Put 3 or 4 pieces of paraffin or alcohol based firelighter (about 3cm x 3cm each) on top of the layer of kindling wood.

Step 4:

Light each of the firelighter pieces and close the door. Wait for when the flames are well established and the larger logs are burning.

After the initial burn, add required amount of wood and adjust the flue damper handle to the desired position.

DO NOT OVERFIRE THE APPLIANCE!

Overfiring can occur by:

- A. Burning large amounts of smaller wood pieces such as furniture scraps or skids.
- B. Overfilling your appliance. Load wood only up to 50% of the firebox height.
- C. Operating the appliance with a poor gasket seal on the main door.
- D. Burning the fire with the door open.

WARNING

DO NOT BURN TREATED WOOD!

Expansion / contraction noises during heating up and cooling down cycles are normal and to be expected.

After extended periods of non-operation such as following a vacation or a warm weather season, the appliance may emit a slight odor for a few hours. This is caused by dust particles on the firebox burning off. Open a window to sufficiently ventilate the room.

Can't get the fire going?

Use more kindling and paper (or firelighters). Assuming the chimney and vent are sized correctly and there is sufficient combustion air, the lack of sufficiently dry quantities of small kindling may be the problem. Thumb size is a good gauge for small kindling diameter.

Can't get heat out of the appliance?

One of two things may have happened. The appliance itself has not reached optimum temperature or the flue damper is positioned all the way to the left.

Slide the air control fully to the right for quicker burn and a more intense fire.

D3 Fuel Information

WARNING

THIS APPLIANCE IS DESIGNED TO BURN NATURAL HARDWOOD (AUSTRALIA) WITH A MOISTURE CONTENT OF LESS THAN 25% ONLY - YOU CAN USE THE MOISTURE METER PROVIDED ALONG WITH THE WOODFIRE PRODUCT.

DO NOT BURN TREATED WOOD, COAL, CHARCOAL, COLOURED PAPER, CARDBOARD, SOLVENTS OR GARBAGE.

HIGHER EFFICIENCIES AND LOWER EMISSIONS GENERALLY RESULT WHEN BURNING AIR DRIED SEASONED WOOD, AS COMPARED TO GREEN OR FRESHLY CUT WOOD.

DO NOT BURN GREEN OR FRESHLY CUT WOOD.

BURNING WET UNSEASONED WOOD CAN CAUSE EXCESSIVE CREOSOTE ACCUMULATION. WHEN IGNITED IT CAN CAUSE A CHIMNEY FIRE THAT MAY RESULT IN A SERIOUS HOUSE FIRE.

DO NOT STORE FUEL WITHIN THE SPACE REQUIRED FOR RE-FUELING AND ASH REMOVAL.

When loading the appliance, ensure that the air bar is not forced out of position. For maximum efficiency, when the appliance is thoroughly hot, load it to 50% of the firebox height and burn at a medium-low setting. The cleanliness of the glass are good indicators of your operating efficiency. Not enough heat is produced when only a few pieces of wood are burned or the wood may not burn completely.

Another problem may be wet or green wood. The typical symptom is sizzling wood and moisture being driven from the wood.

DO NOT STORE FUEL WITHIN THE CLEARANCE TO COMBUSTIBLES ZONE, OR IN THE SPACE REQUIRED FOR RE-FUELING AND ASH REMOVAL.

NOTE: When loading the appliance, ensure to keep fuel back from the glass. If fuel is allowed to accumulate on the front lip, there is a chance it will fall out when the door is opened.

Burn only dry, clean unpainted wood that has been seasoned. It produces more heat and less soot or creosote. Freshly cut wood contains about 50% moisture while after proper seasoning only about 20% of the water remains. As wood is burned, this water boils off, consuming energy that should be used in heating. The wetter the wood, the less heat is given off and the more creosote is produced. Dry firewood has cracks in the end of the grain.

Firewood should be split, stacked in a manner that air can get to all parts of it and covered in early spring to be ready for burning the following autumn.

Cut the wood so that it will fit horizontally side to side.

D4 Smoke Information

A properly installed appliance should not smoke. If yours does, check the following:

- Has the flue had time to get hot?
- Is the smoke passage blocked anywhere in the appliance, flue connector or flue system?
- Is the smoke flow impeded by too long a horizontal pipe or too many bends?
- Is it a weak draft perhaps caused by a leaky flue, a cold flue, a flue system that is too short, or a flue system that is too close to trees or a higher roof?

D5 Ash Removal Procedures

WARNING

IMPROPER DISPOSAL OF ASHES MAY RESULT IN FIRES.

DO NOT DISCARD ASHES IN CARDBOARD BOXES, DISCARD IN BACK YARDS, OR STORE IN GARAGES.

IF USING A VACUUM TO CLEAN UP ASHES, BE SURE THE ASHES ARE ENTIRELY COOLED. USING A VACUUM TO CLEAN UP WARM ASHES COULD CAUSE A FIRE INSIDE THE VACUUM.

NEVER OPERATE YOUR APPLIANCE WITH THE ASH PLUG (IF APPLICABLE) REMOVED.

FAILURE TO ACHIEVE A GOOD SEAL BETWEEN THE ASH OPENING, ASH PLUG OR ASH WELL DOOR MAY RESULT IN AN OVER FIRE CONDITION THAT COULD CAUSE DAMAGE TO THE APPLIANCE AND/OR SURROUNDINGS.

Allow the ashes in your firebox to accumulate to a depth of 50 - 75mm; they tend to burn themselves up.

When the fire has burned down and cooled, remove any excess ashes but leave an ash bed approximately 25mm deep on the firebox bottom to help maintain a hot charcoal bed.

Shovel some ashes out through the door into a metal container with a tight fitting lid. Keep the closed container on a non-combustible floor or ground, well away from all combustible materials. The ashes should be retained in the closed container until all cinders have thoroughly cooled. Cold wood ashes can be used on the garden or in compost.

D6 Creosote Formation and Removal

When wood is burned slowly, it produces tar and other organic vapors, which combine with expelled moisture to form creosote. The creosote vapors condense in the relatively cooler flue of a slow-burning fire. As a result, creosote residue accumulates on the flue lining. When ignited this creosote makes an extremely hot fire. The chimney connector and chimney should be inspected regularly during the heating season to determine if a creosote build-up has occurred. If creosote has accumulated it should be removed to reduce the risk of a chimney fire.

WARNING

A CHIMNEY FIRE CAN PERMANENTLY DAMAGE YOUR FLUE SYSTEM.

THIS DAMAGE CAN ONLY BE REPAIRED BY REPLACING THE DAMAGED COMPONENT PARTS. CHIMNEY FIRES ARE NOT COVERED BY THE WARRANTY.

CAUSES:

- Using incorrect fuel, or small fuel pieces which would normally be used as kindling.
- Leaving the door ajar too long and creating extreme temperatures as the air rushes in the open door.
- Improperly installed or worn gaskets.
- Creosote build-up in the flue.

SOLUTIONS:

- Do not burn treated or processed wood, coal, charcoal, coloured paper or cardboard.
- Do not burn green or freshly cut wood.
- Be careful not to over fire the appliance by leaving the door open.
- Replace worn, dried out (inflexible) gaskets.
- Have the chimney regularly cleaned.

D7 Chimney Cleaning

Both the flue system and the appliance must be inspected and cleaned at least once a year.

For serious wood burners, chimney cleaning must be done as needed to avoid chimney fires; the venting systems for controlled combustion appliances may need cleaning more often than required. These rates, however, depend on the burning habits of the individual operating the appliance. For example, it is possible to clog a solid fuel appliance flue in a few days if slow, smouldering fires are burned and the chimney is cold.

NOTE: Appliances burned consistently without hot fires may result in significant creosote accumulations in the flue.

Certain items and considerations are important in cleaning a flue:

IN CASE OF A CHIMNEY FIRE:

- Have a well understood plan for evacuation and a place outside for everyone to meet. Prepare to evacuate to ensure everyone's safety.
- Close air damper on the appliance.
- Call local fire department. Have a fire extinguisher handy. Contact local authorities for further information on how to handle a chimney fire.
- After the chimney fire is out, clean and inspect the flue system for stress and cracks prior to lighting another fire. Also check combustibles around the flue system and the roof.
- We recommend that you use a registered flue cleaning professional.
- Proper tools should be used, including a brush specifically designed for flue cleaning.
- The flue connector and dampers as well as the flue should be cleaned.
- The appliance's firebox and baffle system should be cleaned if needed.
- The flu system should be inspected and repairs made if needed.
- The flue should be swept from below. Removal of the vermiculite panels and air baffle from within the box is required to access flue for cleaning.

D8 Summary - Do's and Dont's

DO

- Build a hot fire.
- Use only dry wood.
- Several pieces of medium sized wood are better than a few big pieces.
- Refuel frequently using medium sized wood.
- Clean flue regularly (at least once a year).
- "Fine Tune" the air settings (if available) for optimum performance.

DON'T

- Take ash out immediately. Let it accumulate to a depth of at least one inch. A good ash layer provides for a longer lasting and better burning fire.
- Burn wet wood.
- Leave the door open after fueling/refueling the fire.
- Burn one large log rather than two or three smaller, more reasonably sized logs.
- Burn at continually "low setting". If the glass door is constantly blackened, this means the firebox temperature is too low and energy is wasted by incomplete combustion.

MAINTENANCE & SERVICING

WARNING

APPLIANCE MAY BE HOT. DO NOT SERVICE UNTIL APPLIANCE HAS COOLED.

DO NOT USE ABRASIVE CLEANERS.

Check your flue system for creosote and soot build up regularly until a safe frequency for cleaning is established.

If accumulation is excessive, clean both the flue system and the appliance. You may want to call a professional flue cleaner to clean them. Both have to be cleaned at least once a year or as often as necessary.

Remove the vermiculite panels and air bar and clean firebox once a year. Replace any broken vermiculite.

E1 Care and Cleaning of Glass

WARNING

HOT GLASS WILL CAUSE BURNS. DO NOT TOUCH GLASS UNTIL COOLED.

NEVER ALLOW CHILDREN TO TOUCH GLASS.

If the glass is not kept clean permanent discolouration and/or blemishes may result. Normally a hot fire will clean the glass. The most common reasons for dirty glass include: not using sufficient fuel to get the appliance thoroughly hot, using green or wet wood, or closing the draft so far that there is insufficient air for complete combustion.

If it is necessary to clean the glass, buff lightly with a clean dry cloth and non-abrasive cleaner. A scotch brite pad may also be used for any fly ash on the glass surface.

DO NOT CLEAN GLASS WHEN HOT!

Clean the glass after the first 10 hours of operation with the recommended appliance glass cleaner (supplied). Thereafter clean as required.

The glass is very strong but do not let burning fuel rest or fall against it and always close the door gently. **NEVER FORCE IT SHUT!**

If the glass should ever crack or break while the fire is burning, do not open the door until the fire is out and do not operate the appliance again until the glass has been replaced.

New glass is available from your authorised dealer or distributor. An up to date list of authorised dealers can be found at www.escea.com

DO NOT USE SUBSTITUTE MATERIALS.

WARNING

THE GLASS CERAMIC SHEET MAY ONLY BE CLEANED WHEN COLD (FIREPLACE INSERT NOT BURNING AND COOLED DOWN; NO HOT ASH IN THE FIRE CHAMBER).

E2 Replacement Parts

Contact your dealer for questions concerning prices and policies on replacement parts. Normally all parts can be ordered through your authorised dealer / distributor.

An up to date list of authorised dealers can be found at www.escea.com

When ordering replacement parts always give the following information:

- Model & Serial Number of appliance
- Installation date of appliance
- Part number
- Description of part
- Finish

FOR WARRANTY REPLACEMENT PARTS, A PHOTOCOPY OF THE ORIGINAL INVOICE WILL BE REQUIRED TO HONOUR THE CLAIM.

WARNING

FAILURE TO POSITION THE PARTS IN ACCORDANCE WITH THIS MANUAL OR FAILURE TO USE ONLY

PARTS SPECIFICALLY APPROVED WITH THIS

APPLIANCE MAY RESULT IN PROPERTY DAMAGE AND/OR PERSONAL INJURY.

E3 Paint Care and Cleaning

The appliance is sprayed with Senotherm high temperature paint. If any visual parts become scratched during assembly or servicing, touch up Senotherm paint cans can be purchased from your local Escea dealer. Please ensure that **ONLY** Senotherm is used during touch ups.

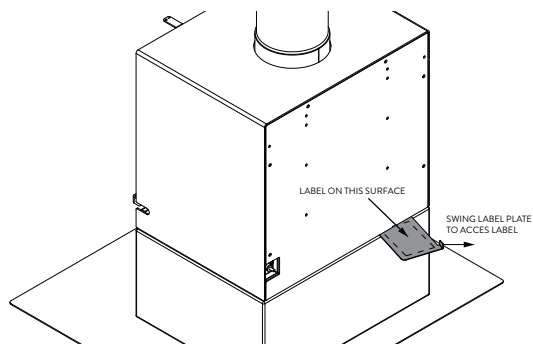
For general cleaning, use a cloth with hot water. Do not use any detergents on the paint.

E4 Accessing the Data Label

Access to the data label will be required during installation or during servicing of the product.

The data label is attached on a label plate located behind the product, on the lower right-hand side of the free-standing woodfire. The label plate can be identified by a small visible handle on the back of the product.

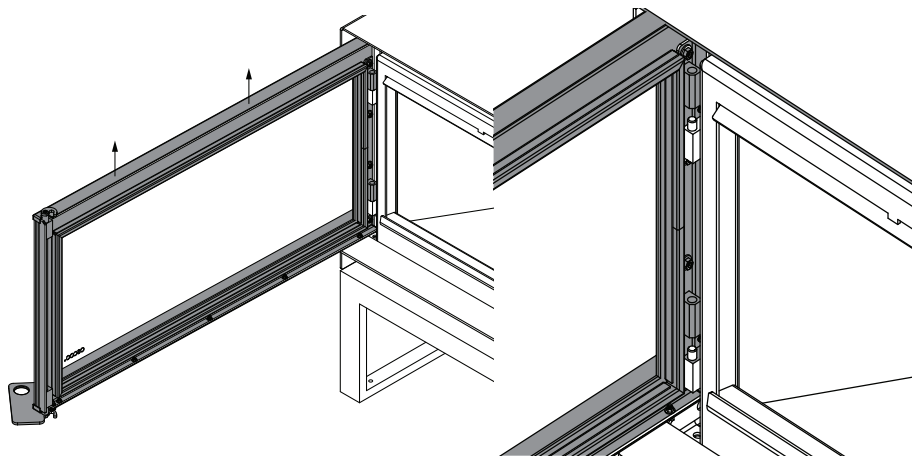
To access the product label, pull the small handle to swing the label plate.



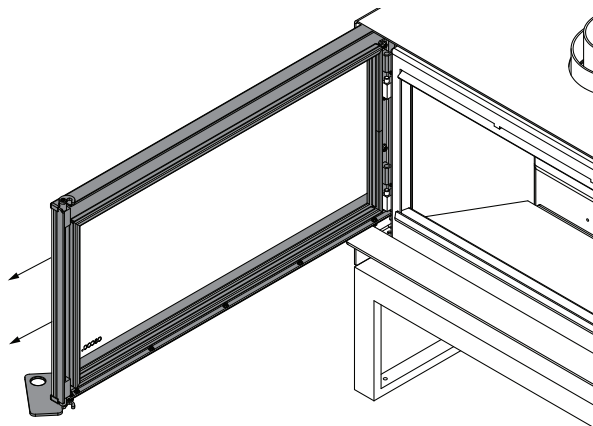
E5 Door Hinge Adjustment

To ensure continued and proper sealing, adjustments to the door and the latch bracket will be required as the seal becomes worn-out over time. Removal of the door will be required when adjusting the door.

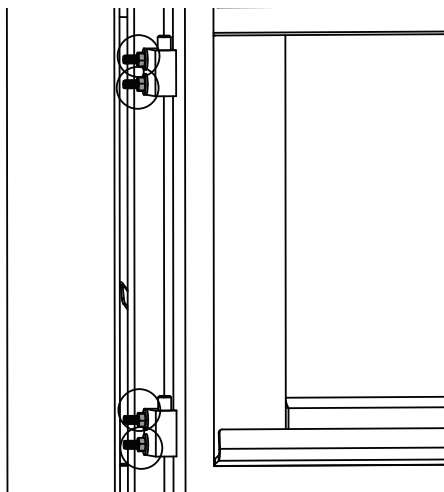
1. Open the door and lift it up to disengage from the door hinge.



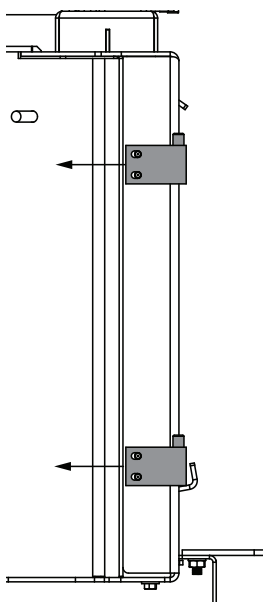
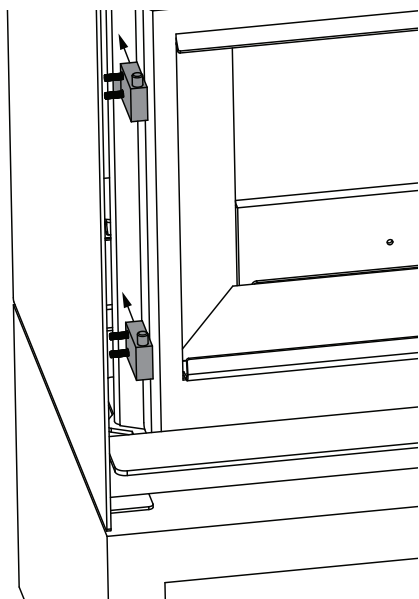
2. Pull the door away from the product.



- Undo 4x M6 nuts and 4x M6 washers (circled below) to free the hinge blocks on the left side of the product.



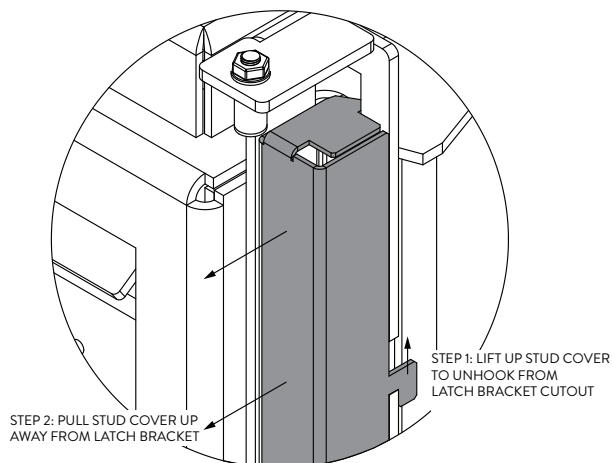
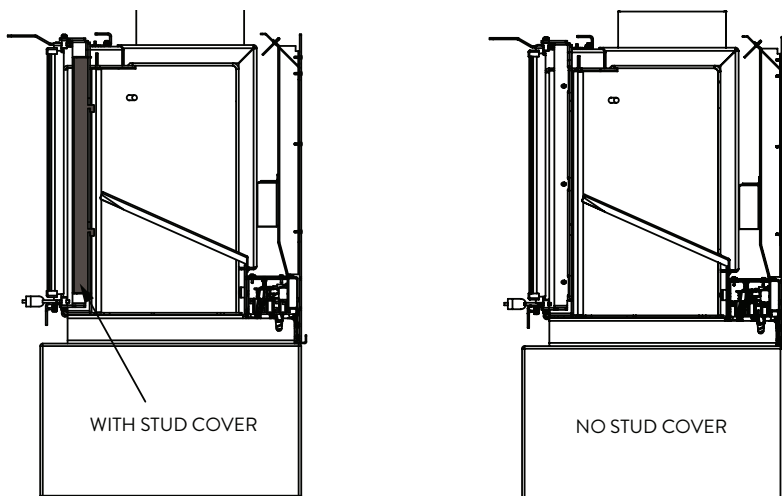
- Move hinge blocks inwards, towards the products, to ensure a tight seal once the door is re-attached. Re-assemble the M6 nuts and M6 washers after moving the hinge blocks.



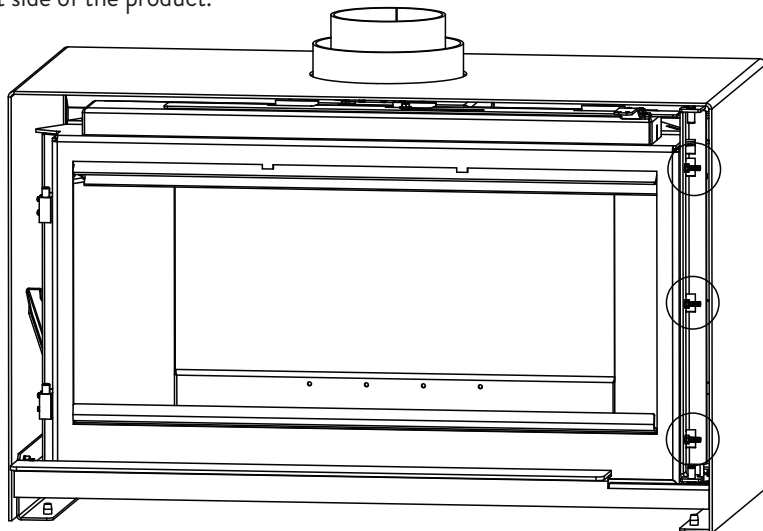
E6 Latch Bracket Adjustment

1. Remove stud cover from the latch bracket. Unhook the stud cover from the latch bracket by pulling the stud cover up. Pull the stud cover from the latch bracket to remove it.

VIEWED FROM RIGHT SIDE OF THE PRODUCT

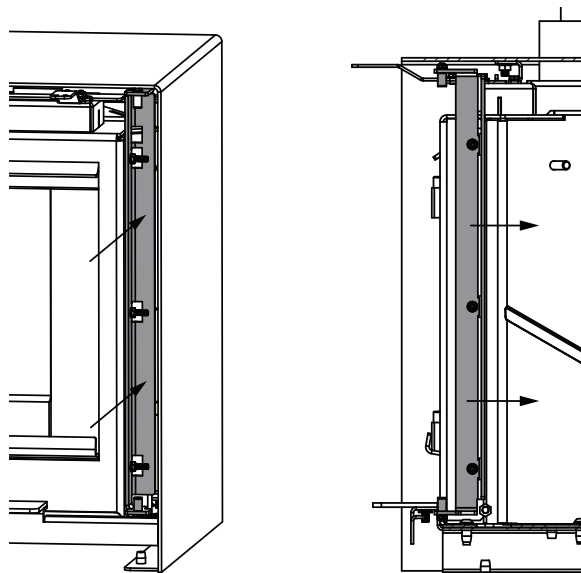


- Undo 3x M6 nuts and 3x M6 washers (circled below) to free the latch bracket on the right side of the product.



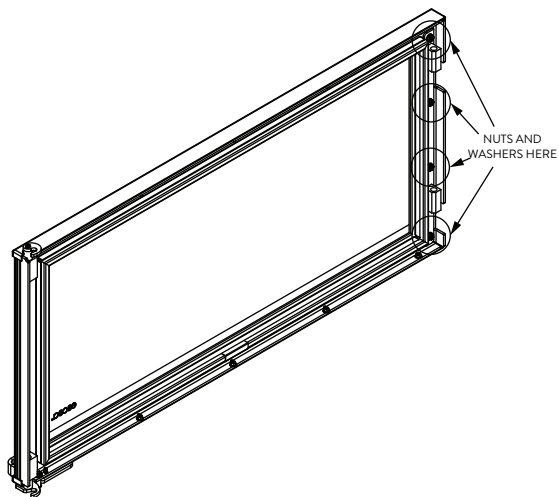
- Move the latch bracket inwards, towards the product, to ensure a tight seal once the door is re-attached. Tighten the bottom nut in the new latch position but leave the others loose. Re-attach the door and close the handle- this will set the new latch bracket position. Open the door and tighten the remaining M6 nuts. Close and open the door a few times to check that the latch position is stable.

Re-assemble the stud cover after setting the latch bracket position.



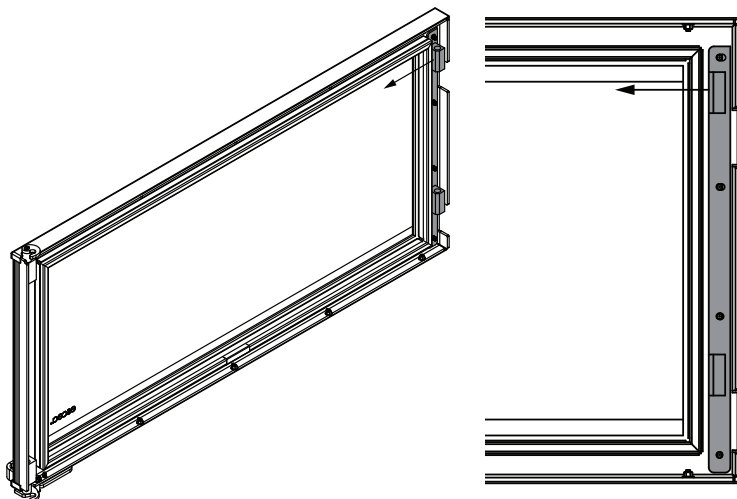
E7 Door Angle Adjustment

1. Loosen the 4x M6 nuts and 4x M6 washers (circled below) to free the hinge adjustment plate behind the door.



2. Viewed from the back of the door, swing the top of the hinge adjustment plate to the left to adjust the angle of the door. Tighten the M6 nuts and M6 washers after moving the latch bracket.

*Note: Doing this step will shift the side of the door with the handle to upwards.



3. Re-assemble the door once adjustments have been completed.

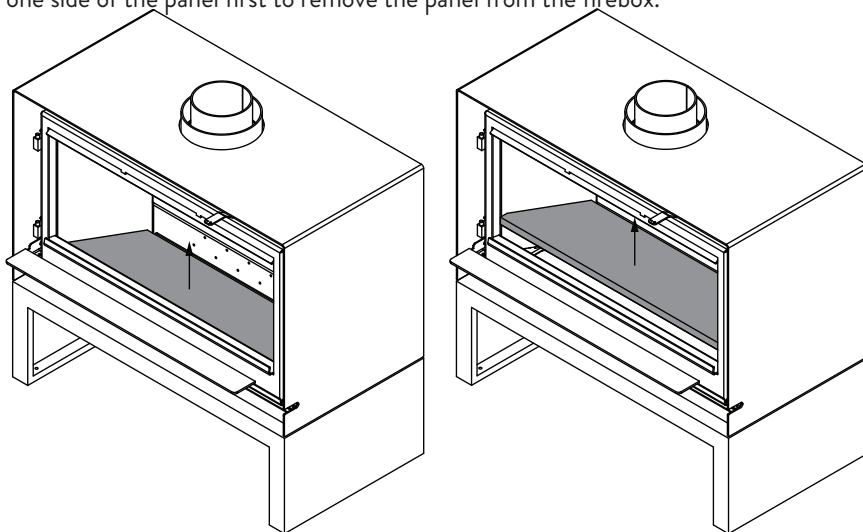
E8 Vermiculite Removal and Replacement

Vermiculite panels will have to be removed to gain access to the flue for cleaning and any electrical component maintenance. In the event of vermiculite panels getting damaged over time, the existing panels will also have to be removed and replaced with new panels.

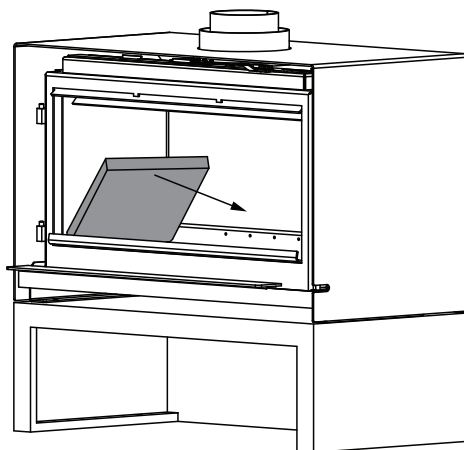
Note: please handle the replacement vermiculite panels carefully.

The door has been removed in the diagrams below for clarity.

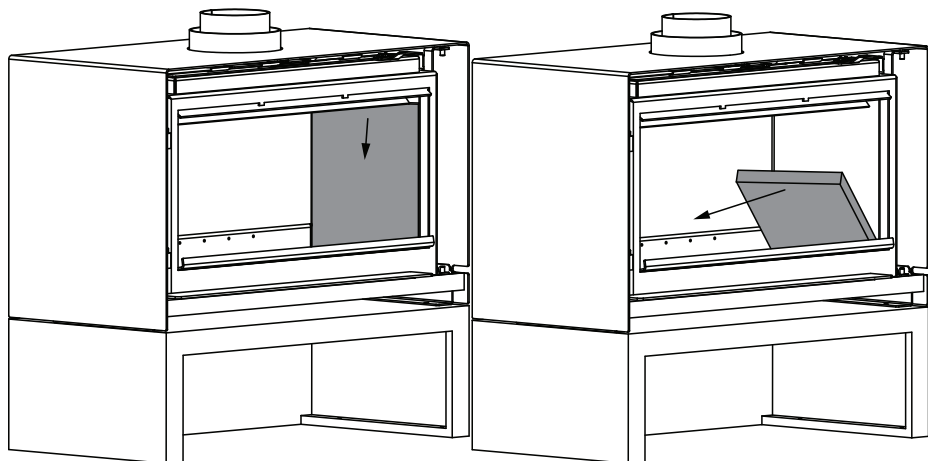
1. Lift base panel off from the firebox then tilt the base panel to roughly 30°. Pull out one side of the panel first to remove the panel from the firebox.



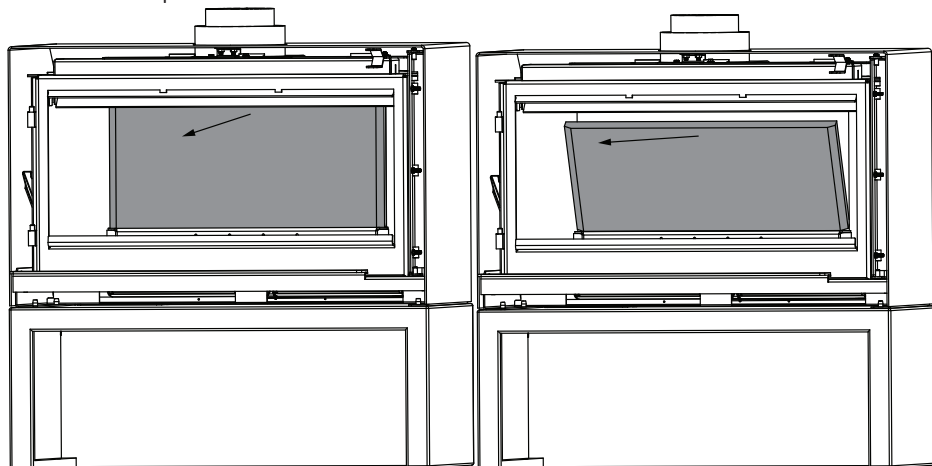
2. Tilt the side panel by dropping its top edge down towards the firebox base. Pull the vermiculite panel out of the firebox once angled enough for easy removal.



3. Repeat process for the other vermiculite panel on the other side of the firebox.



4. Pull down the top edge of the back panel to remove it from its position. Pull the vermiculite panel out of the firebox.



5. **This step is for re-installing the existing panels or replacing damaged vermiculite panels.**
Place the back panel first before installing the side panels. Place the base panel last. Use the previous steps as guide for re-installing vermiculite panels. Tilt panel as required to fit the replacement panels into the firebox.

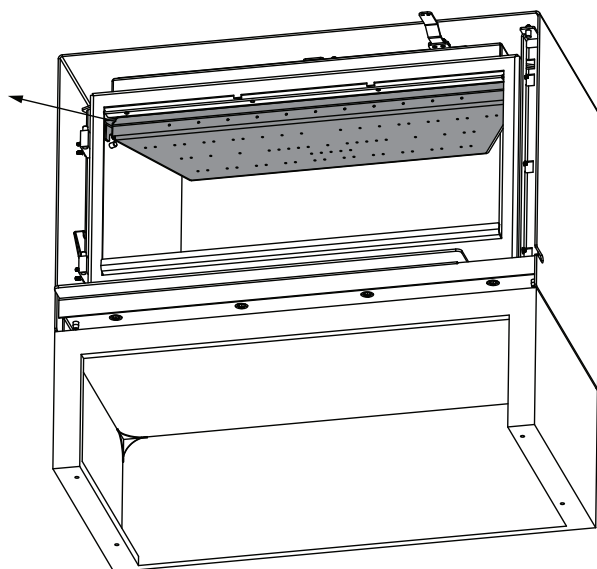
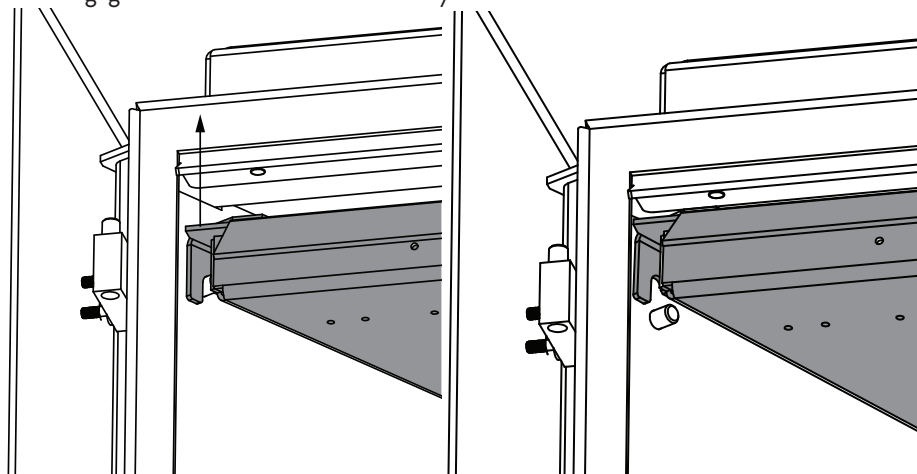
New vermiculite panels are available from your authorised dealer or distributor. An up to date list of authorised dealers can be found at www.escea.com

E9 Air Bar Removal & Replacement

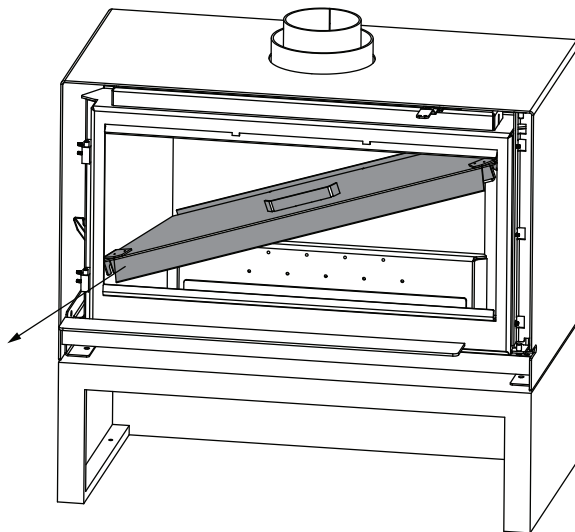
The air bar will have to be removed to gain access to the flue for cleaning and maintenance. In the event of the air bar getting damaged over time, the air bar removal will be needed for replacement.

Ensure that the door has been removed from the product before removing the air bar.

1. Push the air bar up to disengage it from its holding pins. Pull the air bar forward to disengage the air bar from the secondary air access on the back wall of the firebox.



2. Drop down one side of the air bar top tilt it at roughly 30°. Pull out one side of the air bar first to remove the panel from the firebox.



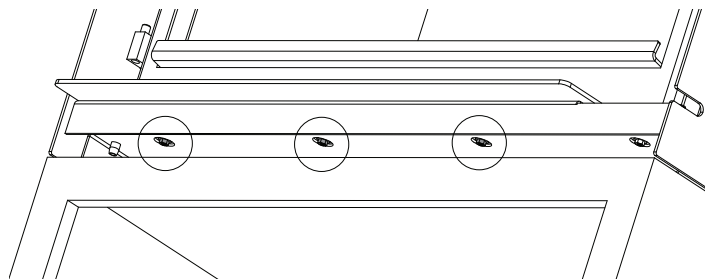
3. This step is for re-installing the air bar or replacing a damaged air bar. Use the previous steps as guide for re-installing the air bar . Tilt part as required to fit the replacement air bar into the firebox.

New air bar is available from your authorised dealer or distributor. An up to date list of authorised dealers can be found at www.escea.com

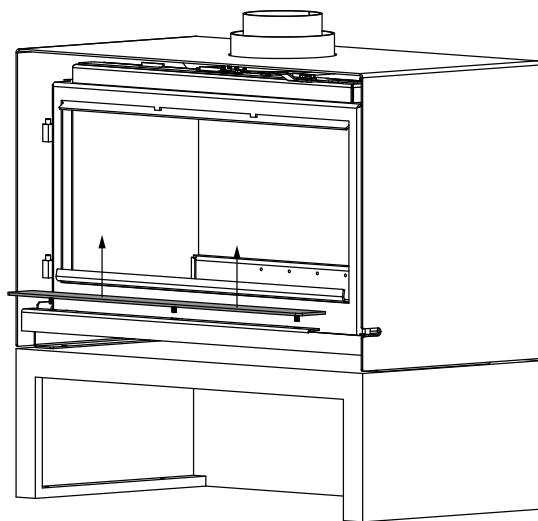
E10 Ash Lip Removal & Replacement

Ensure that the door has been removed from the product before removing the ash lip

1. Undo the 3x M8 barrel nuts (circled below) to free up the ash lip.



2. Lift up ash lip to remove it from its holder.



3. Place the replacement ash lip on the holder to re-install on to the fireplace. Redo the 3x M8 barrel nuts to secure the ash lip to the holder.

*Note: The ash lip holder has slots that would allow you to re-adjust the ash lip forward or backward; consider the ash lip position when re-installing a replacement ash lip, depending on your preference.

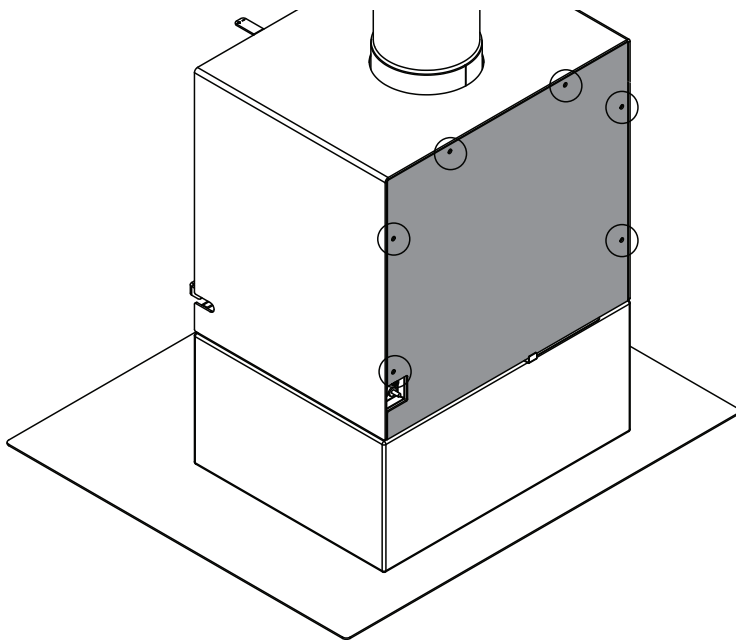
New ash lips are available from your authorised dealer or distributor. An up to date list of authorised dealers can be found at www.escea.com.

E11 Maintenance of Electrical Components

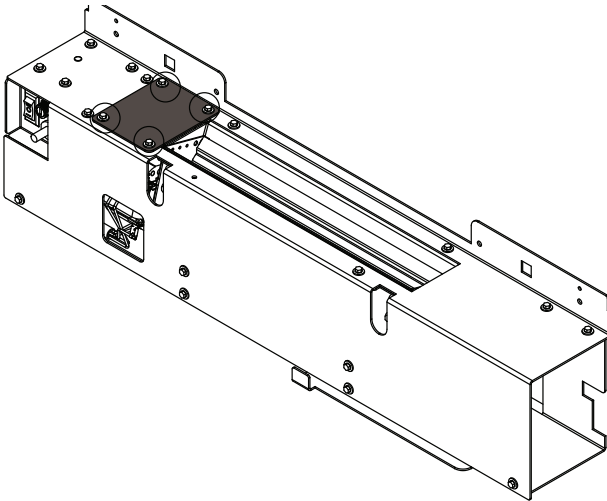
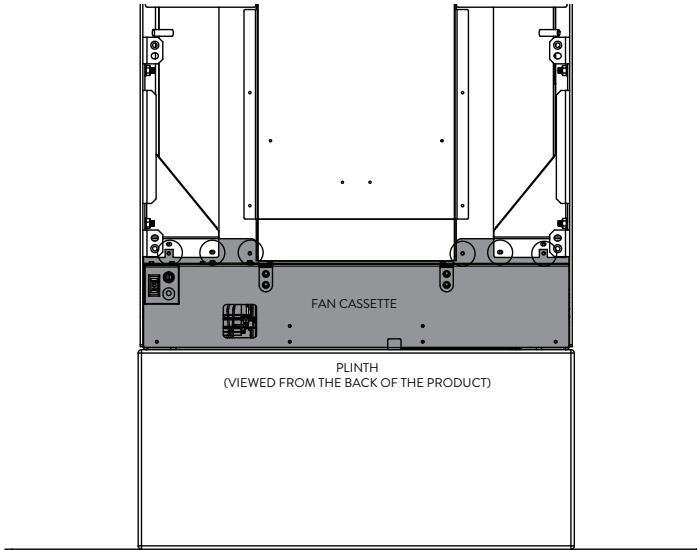
In the event of electrical components such as the fan and thermal switch becoming faulty, it would be required to remove and replace the fan cassette from the product. The following steps highlight the procedures for the removal and replacement of the fan cassette.

*Note: If a replacement fan cassette is required, the label plate must be taken off the old cassette and re-installed on the new one.

1. Remove the back panel of the fire to access the fan cassette that houses the electrical components. Undo 6x M8 bolts to remove the back panel from the product (circled below).



2. First undo the tek screws (1/4" driver) and remove the air baffle 'wings'. Then undo and remove the tek screws that hold the fan cassette. Finally, remove the small cover plate from the top of the fan cassette and use pliers to remove the terminals from the thermal switch. The cassette can now be slid out.



3. Undo 1x M5 nylock nut to remove the label plate from the fan cassette (circled below). Put aside the label plate as it will have to be re-assembled to the new fan cassette. Replace the new fan cassette as required.
4. Replace the fan cassette as required to address faulty electrical components. Redo the M5 nylock nuts to re-assemble the label plate to the new fan cassette.

Re-install the replacement fan cassette to the product by redoing 6x M8 Tek screws and re-attach the back panel to the fire wrap by redoing 6x M8 bolts.

TROUBLESHOOTING

WARNING
APPLIANCE MAY BE HOT, DO NOT SERVICE

UNTIL APPLIANCE HAS COOLED.
DO NOT USE ABRASIVE CLEANERS.

Problem	Solution
Can't get the fire started.	<ul style="list-style-type: none"> • Using firelighters? Not using enough? Add more. • Not enough air? Ensure air control is fully open. Also ensure that the air opening is not obstructed. • Using lots of kindling? Using softwood as kindling? • Use dry seasoned wood. • Flue blockage? Inspect flue system. • Is the door closed? Leave door closed while kindling takes off. • Use top down lighting method • Is an Escea flue system installed? Required for the fireplace to work properly.
Smokes when door is open.	<ul style="list-style-type: none"> • Ensure the damper is set to high during refueling • Refrain from burning particularly smoky/ ashy wood species • Let logs burn down to embers before opening door • Let air stabilize before opening door • Insufficient draft? Add more flue pipe.
Stove doesn't burn hot enough.	<ul style="list-style-type: none"> • Wood is too wet. Ensure moisture content is less than 20%. • Insufficient draft? Add more flue pipe. • Not enough air? Ensure air control is fully open. Also ensure that the air opening is not obstructed.
Wood burns too fast.	<ul style="list-style-type: none"> • Air control may need to be adjusted down. • Check door gasket for adequate seal (paper test). Adjust if necessary. • Wood may be extremely dry eg Under 10%

Problem	Solution
The fire leaks through the door	<ul style="list-style-type: none">• Check door gasket for adequate seal (paper test). Adjust if necessary.
Dirty glass	<ul style="list-style-type: none">• Air control may be closed too far. Open air control more.• Burn hotter, smaller fires. Use well-seasoned wood.• Use top down lighting method• If fly ash has accumulated over time, clean the glass
Ash falls out the front	<ul style="list-style-type: none">• Has the wood been stacked too high? Burn big logs in one layer rather than lots of small logs in multiple layers.• Refrain from burning particularly ashy wood species• Has the ash been cleaned out recently enough? The ash will need to be cleaned out every few hours
The surround is scratched	<ul style="list-style-type: none">• Use a damp cloth to rub off scratches• Use touch up spray can of Senotherm



GENERAL WARRANTY TERMS & CONDITIONS

General Information

This quality manufactured product is state of the art. The materials used were meticulously selected and are constantly checked, as is our entire production process.

Setting up or installing this product requires specialised knowledge. Escea products may therefore only be installed and commissioned by specialised firms and in compliance with statutory regulations as amended.

Warranty Conditions for Escea Indoor Wood Fires

This warranty is provided by the Australian Distributor of Escea Wood Fires, who trade as Escea Australia PTY Limited (referred to in this document as Escea). The warranty applies from the date of purchase from or through an authorised Escea fire dealer.

Nature of Warranty

Subject to the exclusions in section 2 & 3, Escea undertake to put right any defects in the Escea wood fire products supplied by Escea for the periods specified below:

Parts	Parts and Labour Warranty
Firebox	10 years
Fan and electronic components	1 year
Baffle & Firebricks	1 year
Door seal and glass seal	1 year

Escea must pre-authorise all warranty work.

The benefits provided by under this warranty are in addition to the consumer guarantees and any other statutory rights you may have under the consumer law and/or other applicable laws.

Warranty Exclusions

This warranty does not apply and will be void where:

- The Escea fire is not installed in accordance with AS/NZS 2918:2018 or any building code or consent.
- The Escea fire has not been installed or operated in accordance to the Escea installation manual, in particular, defects, malfunctions or failures caused by incorrect installation, normal wear and tear, misuse, neglect, lack of proper and regular maintenance, accidental damage any other alteration, or failure to follow operating

instructions in the installation manual.

- The use of products, including flue systems that are not specified in accordance with this installation manual.
- Repairs or modifications by persons not authorised by Escea, use of parts not supplied by Escea, or damage or other events which have occurred since the product left the control of Escea.
- Any scratches, dints, fingerprint marks and melted items that occurred after the arrival of the product to the Escea Dealer.
- Improper handling of fragile components such as glass.
- Damage caused by incorrect use or the burning of inappropriate fuel. This may include treated or painted wood, coal, driftwood, high creosote wood or wood with high moisture content.
- Changes in the interior / exterior surfaces of the house, fire, or flue (e.g., any staining or soot /smoke damage or discoloration of surfaces caused by thermal stress or overload).
- Damage caused by abnormally corrosive environments (e.g. sea salt corrosion)
- Damage caused by water affecting the Escea fire.
- Operation of the Escea fire without its baffles, fire bricks, door seals, complete glass doors in place or partly open doors will create an overfired situation resulting in damage, which will not be covered by warranty.
- This warranty does not cover paint blemishes or imperfections because of the uneven nature of high temperature paint. A spray can of touch up Escea paint is available and can be purchased from your Escea dealer.
- Subject to any statutory provisions to the contrary, Escea's liability in respect of Escea products That are found to have manufacturing defects will be limited to refunding, repairing or replacing the defective products. Escea does not accept liability for consequential damage or any incidental expenses resulting directly or indirectly from any defect or breach of warranty, claims for damage to building or any other consequential loss.
- The firebox warranty shall be void if the baffle plate and air bar assembly inserted in the ceiling of the firebox is damaged in any way (including burnt out, buckled, or bowed).
- The appliance has been over-fired, over-firing can be identified by, but not limited to, warped plated or tubes, rust coloured cast iron, bubbling, cracking and discolouration of steel or paint finishes.

Other Escea Indoor Wood Fire Warranty Conditions

No dealer, distributor, or similar person has the authority to warrant Escea products beyond the terms contained in this warranty.

This warranty is automatically voided if the appliance's serial number has been removed or altered in anyway.

Any differences in fireplace appearance from Escea promotional images that is due to printing limitations, environmental factors or wood variations are not a warranty issue.

Where you make a claim under this warranty, an authorised repairer may need to attend your premises to inspect the Escea product. Escea may charge you a service call fee if a repairer will be required to travel more than 30 km from the nearest service centre to your location. You can obtain details on the location of service centres and service call fees by visiting the Escea web site or calling the customer care line below.

Warranty Claims

If you make a valid claim under warranty and none of the exclusions set out in section 2 and 3 apply, Escea will, at Escea's election either:

Repair the relevant part of the Escea product; or

Replace the relevant part of the Escea product with a product of identical specification (or where the product is superseded or no longer in stock, with a product of as close a specification as possible).

How to Make a Warranty Claim

To progress any Warranty claims for damaged appliance/parts, paint or any visual defects, photographic evidence must be supplied. Failure to provide photographic evidence may result in the claim being delayed or refused

Lodge the claim through the dealer who supplied the fire, as soon as you first become aware of the breakdown. The Escea Dealer will then follow Escea's warranty claim process. Provide the Escea product serial number.

Provide reasonable proof of purchase for the Escea product.

If required, provide access to the premises at which the Escea product is located (so it can be inspected).

Records and receipts of chimney sweeping may be required in the event of a warranty claim if there is excessive signs of neglect or misuse.

Escea Distributor	Filing a Claim
Escea Limited 17 Carnforth Street Dunedin, 9018, New Zealand Ph 0800 17 3000 www.Escea.com	Contact the dealer you purchased the fire from.

THIS DOCUMENT CONTAINS TECHNICAL DATA SUBJECT TO CHANGE WITHOUT NOTICE.

H